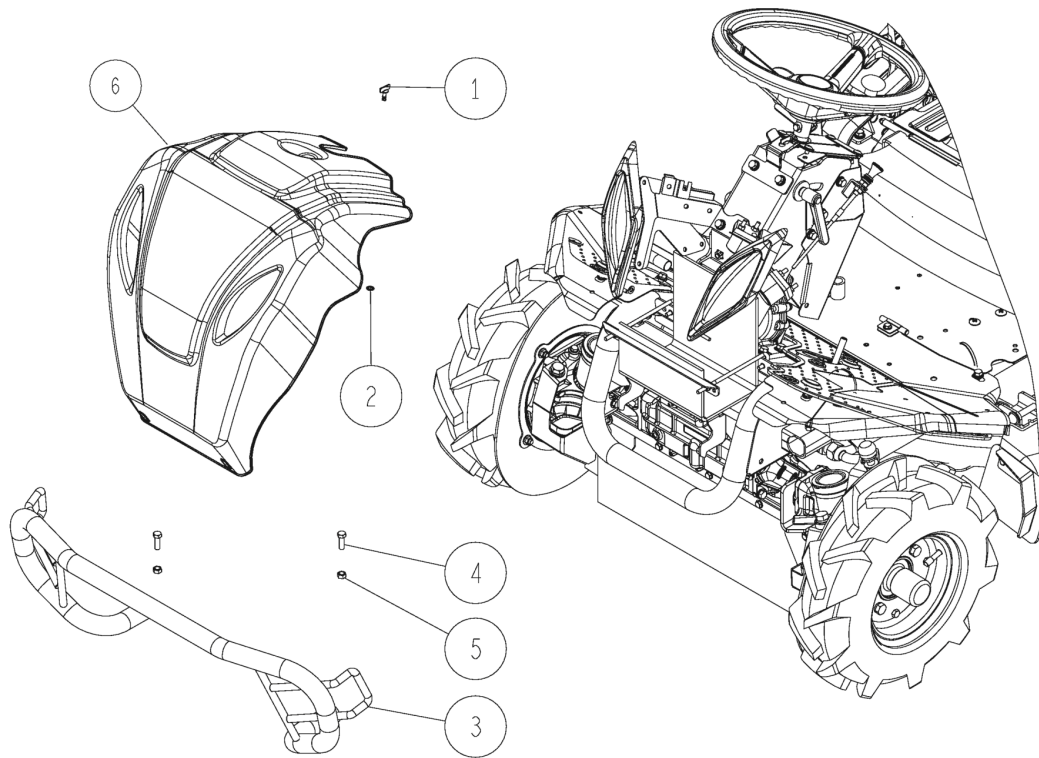


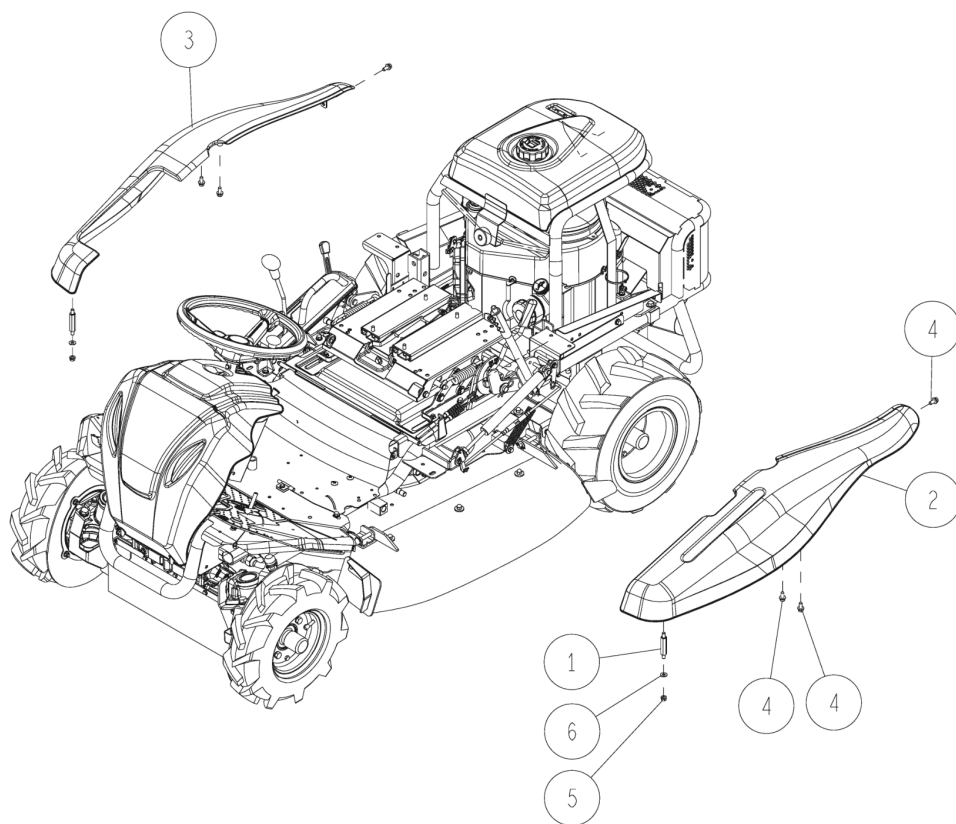
PL02571



03/2019

Number	Part Number	Name	Quantity
1	44084	FRONT COVER LOCK	1,000
2	44088	LOCK STOP	1,000
3	44276	FRONT BUMPER	1,000
4	-	-	1,000
6	44277	FRONT COVER	1,000

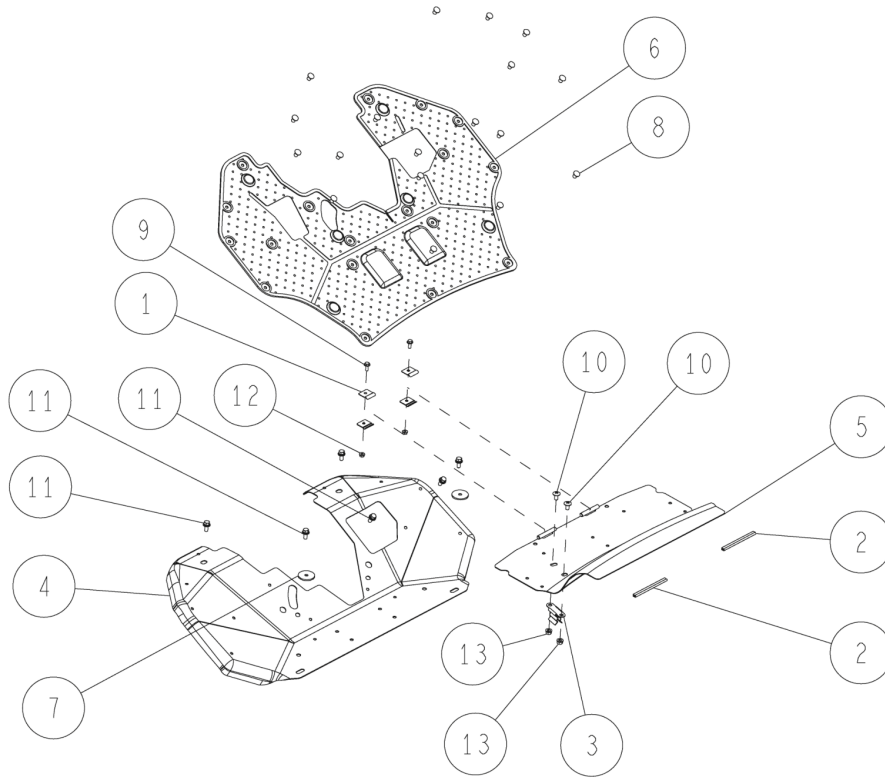
PL02572



03/2019

Number	Part Number	Name	Quantity
1	43984	STUD	1,000
2	44036	LEFT SIDE COVER	1,000
3	44037	RIGHT SIDE COVER	1,000
4	34308	SCREW M8X16	1,000
5	34315	NUT 8	1,000
6	34326	WASHER 8	1,000

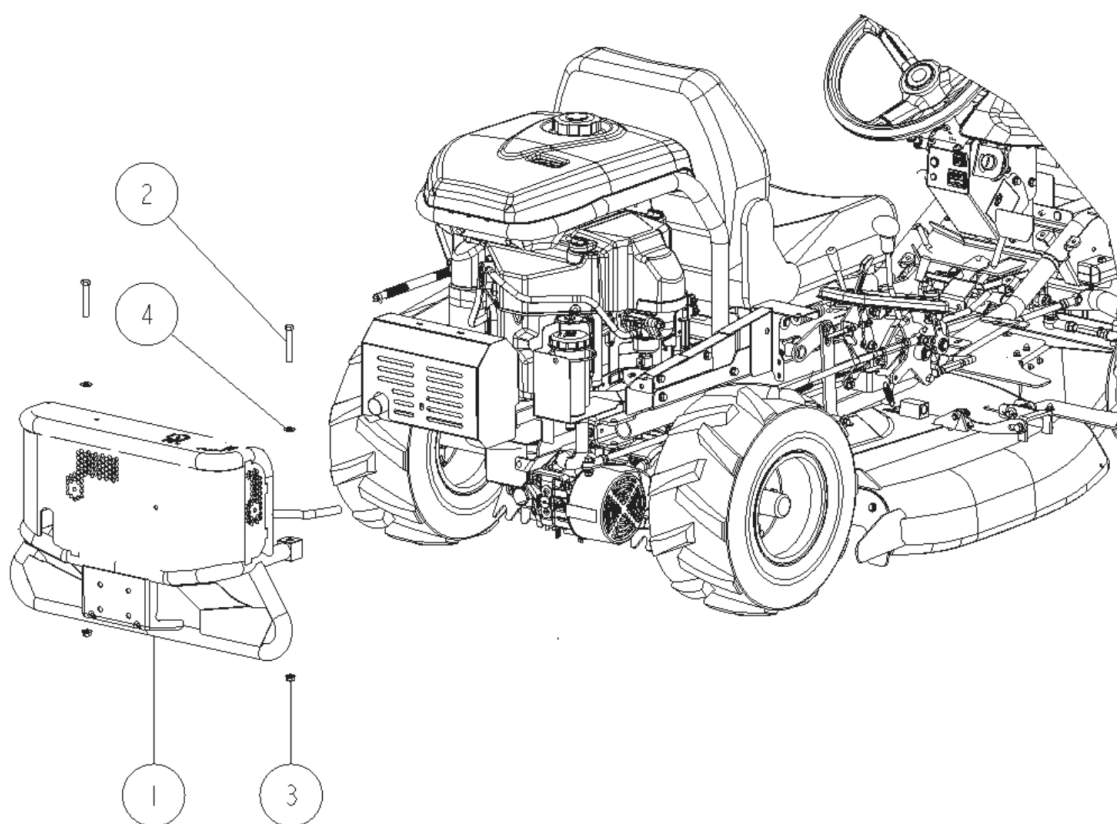
PL02573



03/2019

Number	Part Number	Name	Quantity
1	43956	CENTERING PLATE	1,000
2	43990	RUBBER 110 MM	1,000
3	44033	CLIP SEAT COVER	1,000
4	44195	RUNNING STEP	1,000
5	44196	CENTR. RUNNING STEP	1,000
6	44204	RUNNING STEP REVET.	1,000
7	27909	WASHER 8X40X2,3	1,000
8	27319	GRIP	1,000
9	27893	SCREW HM6X20+WASHER	1,000
10	34306	SCREW M8X16	1,000
11	34309	SCREW M8X20	1,000
12	34313	NUT 6	1,000
13	34315	NUT 8	1,000

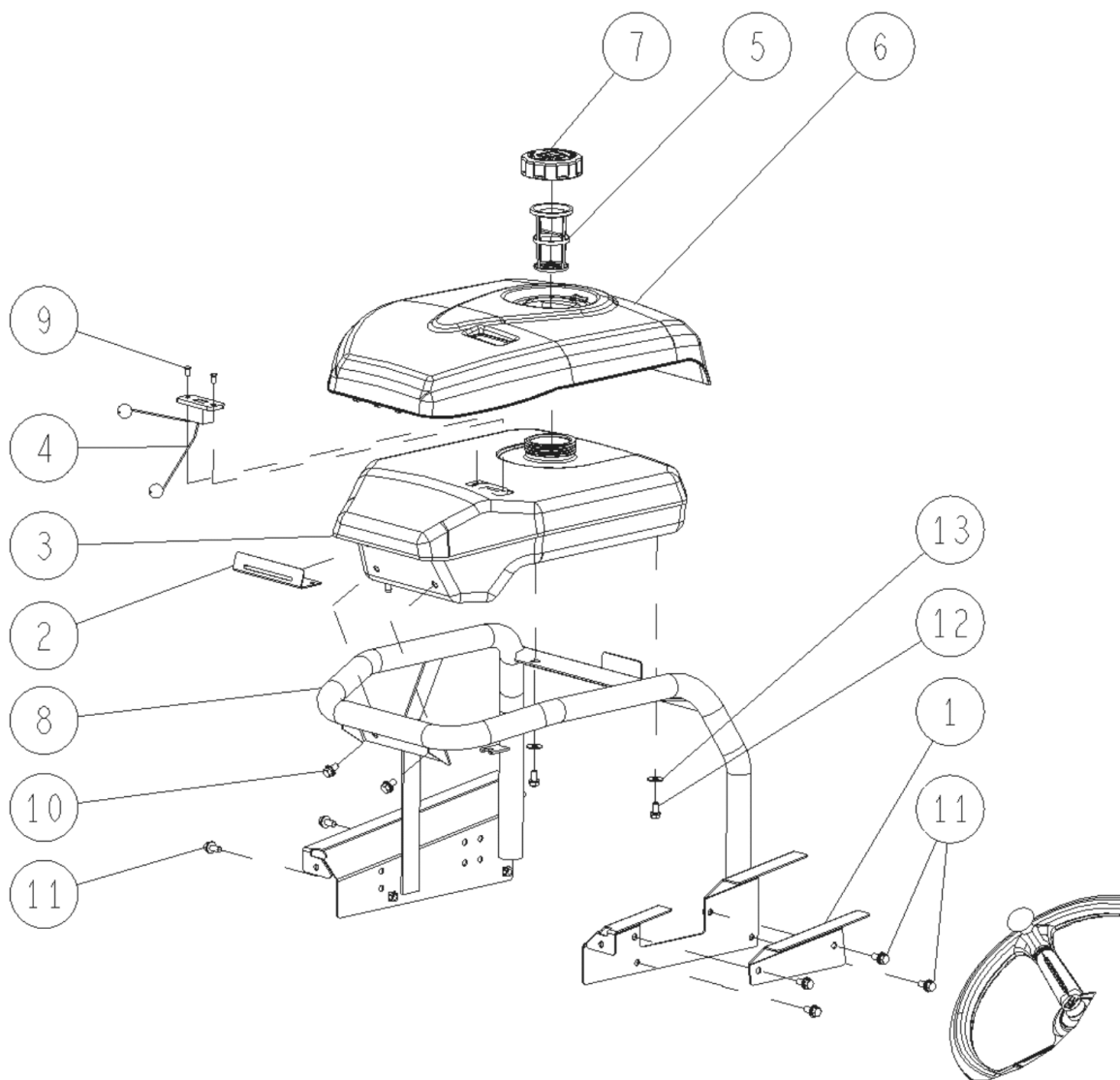
PL02442



08/2017

Number	Part Number	Name	Quantity
1	44187	REAR BUMPER	1,000
2	-	-	1,000
4	34327	WASHER 10	1,000

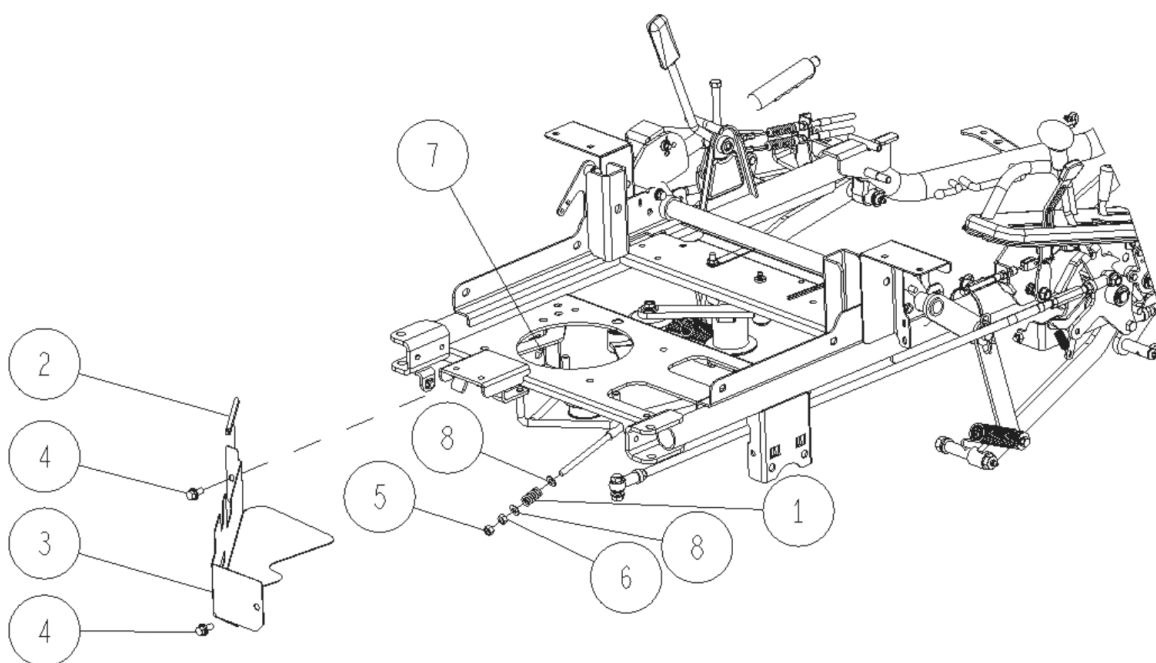
PL02443



08/2017

Number	Part Number	Name	Quantity
1	44075	BRACKET RIGHT	1,000
2	44076	FIXING CORNER TANK	1,000
3	44077	FUEL TANK	1,000
4	44080	FUEL GAUGE	1,000
5	44081	FUEL FILTER	1,000
6	44091	TANK COVER WITHE	1,000
7	44096	TANK CAP	1,000
8	44123	TANK BRACKET	1,000
9	-	-	1,000
10	34308	SCREW M8X16	1,000
11	34309	SCREW M8X20	1,000

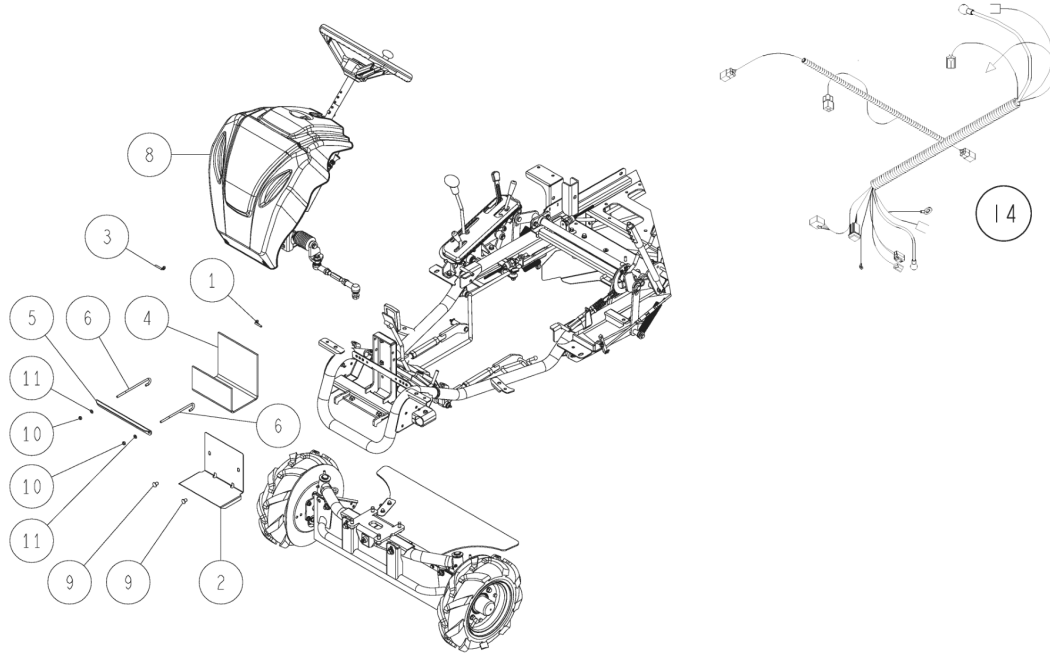
PL02444



08/2017

Number	Part Number	Name	Quantity
1	27682	BRAKE SPRING	1,000
2	43990	RUBBER 110 MM	1,000
3	44104	BELT COVER REAR	1,000
4	34309	SCREW M8X20	1,000
5	-	-	1,000
7	27501	NUT FLANGE M8	1,000
8	34319	WASHER 8X18X1,6	1,000

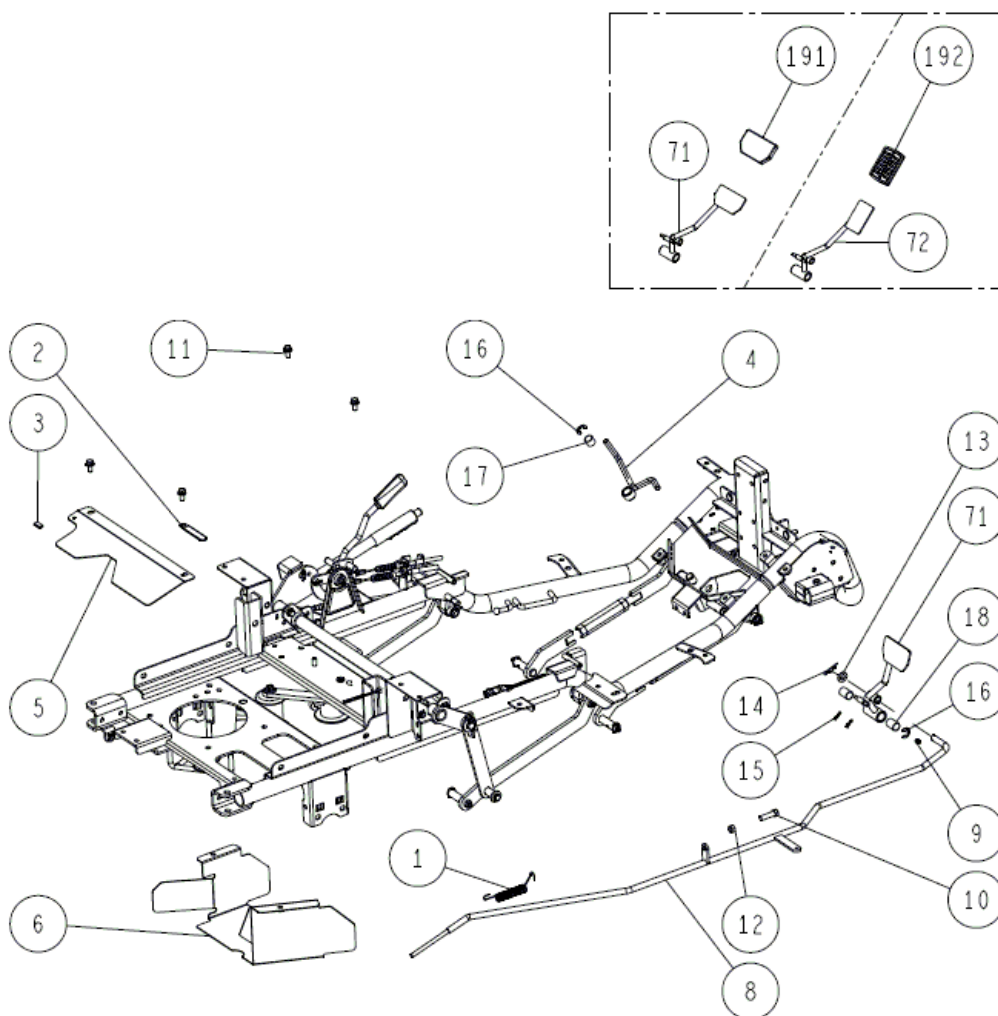
PL02609



10/2019

Number	Part Number	Name	Quantity
1	27847	BATTER.PLUS CORD230	1,000
2	44055	BATTERY BRACKET	1,000
3	44089	GROUND CABLE	1,000
4	44090	CAOUT.PROTECT.BATT.	1,000
5	44278	BATTERY FIXING	1,000
6	44279	BATTERY ROD	1,000
9	27319	GRIP	1,000
10	-	-	1,000
11	34318	WASHER 6	1,000
12	44056	BATTERY FIXING	1,000
13	27501	NUT FLANGE M8	1,000
14	44295	ELE.WIR.AK95 AK98 2	1,000

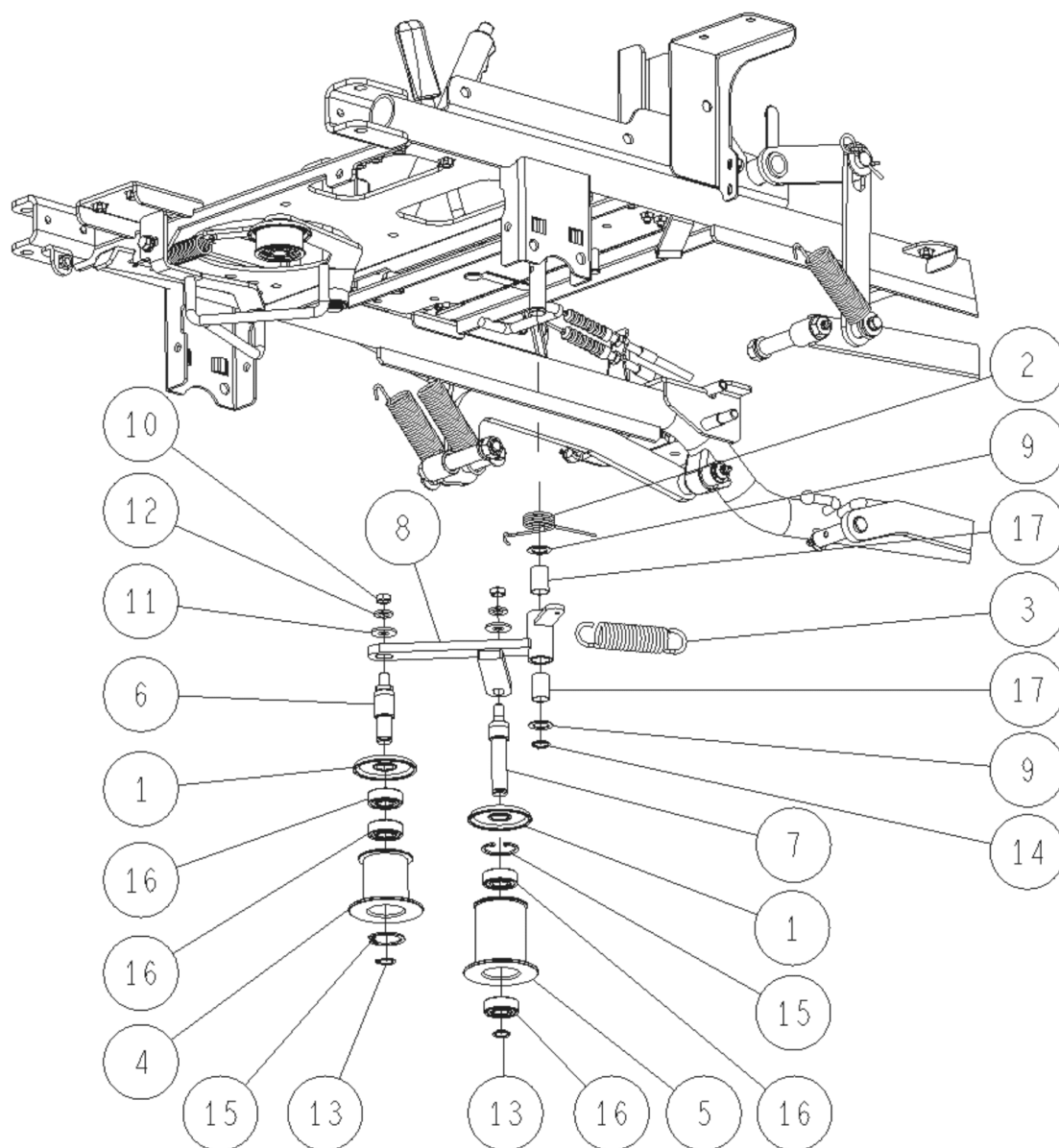
PL02446



11/2018

Number	Part Number	Name	Quantity
1	27936	SPRING	1,000
2	27314	HARNESS CLIP	1,000
3	43972	RUBBER 20MM	1,000
4	44010	BRAKE LOCKING LEVER	1,000
5	44057	BELT COVER	1,000
6	44112	BELT COVER	1,000
8	44108	BRAKE ROD	1,000
9	27246	GREASE NIPPEL	1,000
10	-	-	1,000
11	34308	SCREW M8X16	1,000
13	34320	WASHER 12	1,000
14	27566	SNAP RING 12	1,000
15	27751	SNAP PIN 6	1,000
16	27313	SNAP RING E TYPE 12	1,000
17	34343	BUSH 16-15 DU	1,000
18	27612	DU BUSH 16-25	1,000
71	44174	BRAKE PEDALE	1,000
191	44035	CAOUTCHOUC	1,000
192	27224	PEDAL RUBBER	1,000

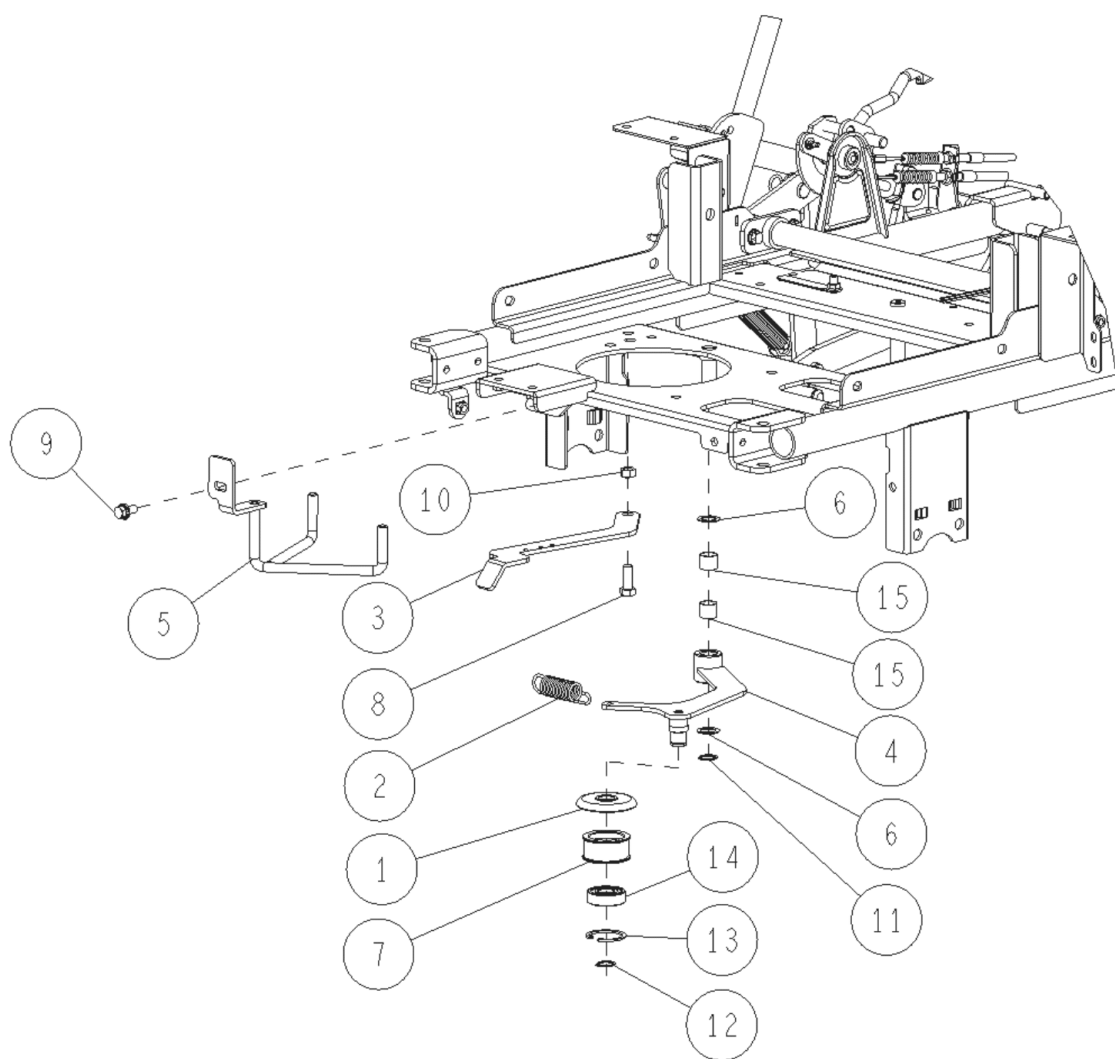
PL02448



08/2017

Number	Part Number	Name	Quantity
1	27226	RUBBER COVER 58	1,000
2	27391	RETURN SPRING	1,000
3	34102	SPRING	1,000
4	34825	PULLEY	1,000
5	34826	PULLEY	1,000
6	34827	AXLE	1,000
7	34182	TENSIONNER AXLE	1,000
8	44064	BLADE TENSIONER ARM	1,000
9	27364	WASHER 16X24X1	1,000
10	34317	NUT 10	1,000
11	34323	WASHER 10	1,000
12	71052	SPRING WASHER,DIN 1	1,000
13	34339	CIRCLIP 15	1,000
14	27365	SNAP RING 16	1,000
15	71039	CIRCLIP,DIN 427 35X	1,000
16	25112	BALL BEARING,6202 S	1,000
17	27612	DU BUSH 16-25	1,000

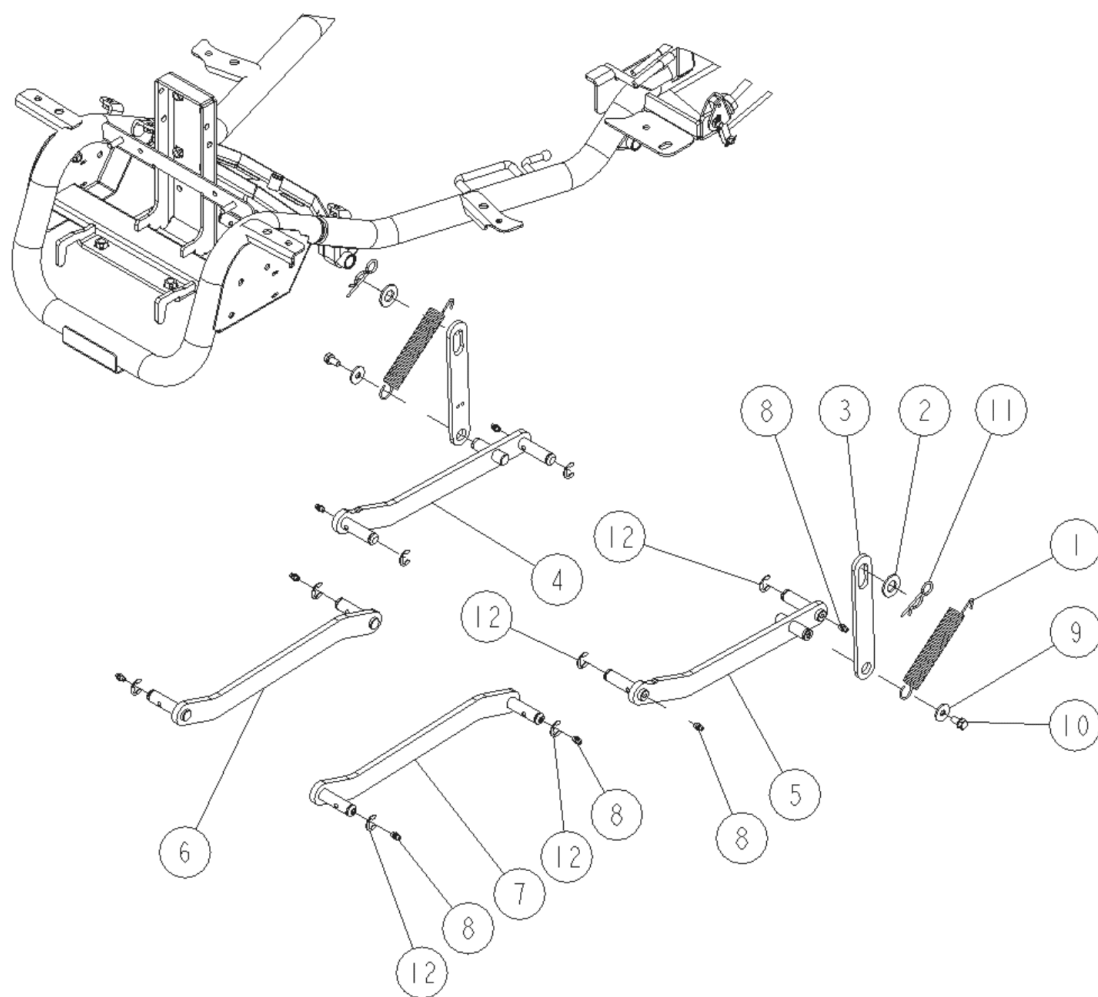
PL02449



08/2017

Number	Part Number	Name	Quantity
1	27226	RUBBER COVER 58	1,000
2	27222	TENS.SPRING	1,000
3	44066	TENSIONER ARM	1,000
4	44063	TENSIONER ARM FRONT	1,000
5	44065	BELT GUIDE	1,000
6	27364	WASHER 16X24X1	1,000
7	27221	TENSION PULLEY	1,000
8	-	-	1,000
9	34309	SCREW M8X20	1,000
11	27365	SNAP RING 16	1,000
12	27376	SNAP RING 17	1,000
13	27374	SNAP RING 40	1,000
14	6058	BEARING 62032RS	1,000
15	34343	BUSH 16-15 DU	1,000

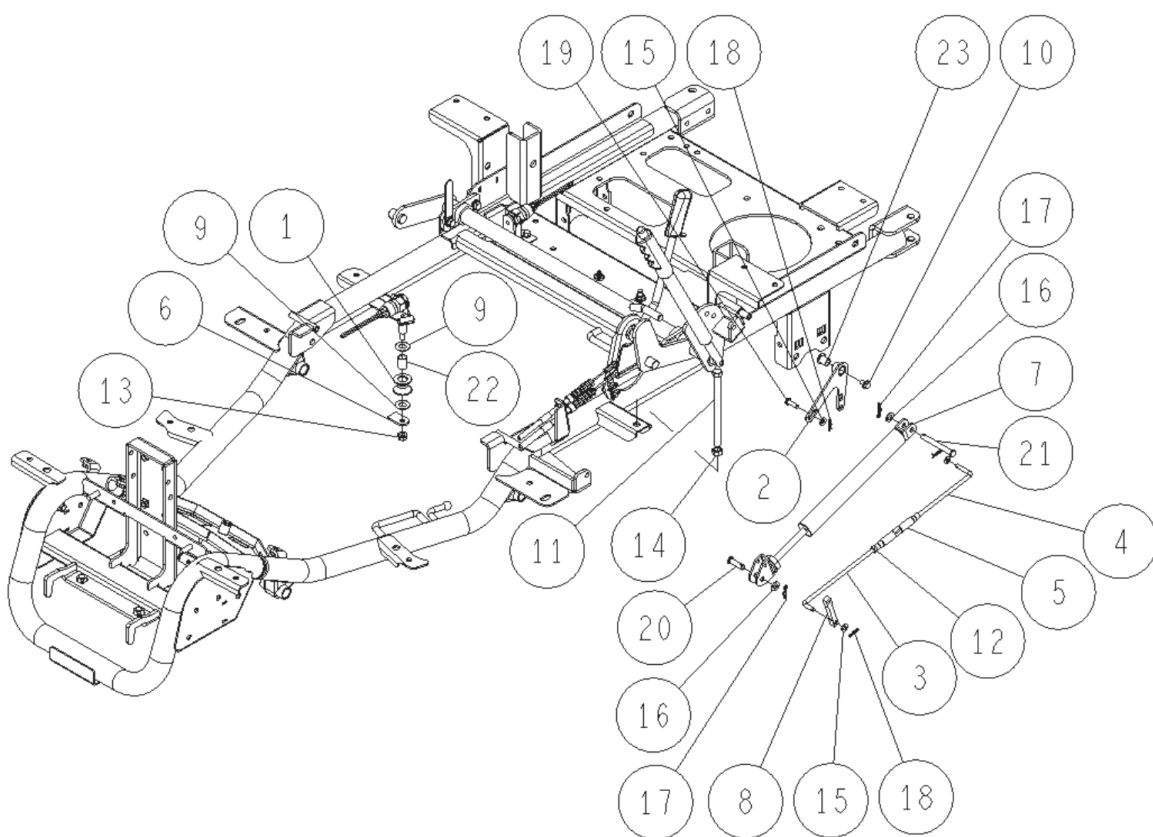
PL02450



08/2017

Number	Part Number	Name	Quantity
1	27275	SPRING	1,000
2	27749	WASHER 16X32X3,2	1,000
3	34799	PLATE	1,000
4	44071	REAR RIGHT ARM	1,000
5	44072	REAR LEFT ARM	1,000
6	44120	FRONT RIGHT ARM	1,000
7	44121	ARM FRONT LEFT	1,000
8	27246	GREASE NIPPEL	1,000
9	27940	WASHER 8X25X2,3	1,000
10	-	-	1,000
11	34334	PIN	1,000
12	27313	SNAP RING E TYPE 12	1,000

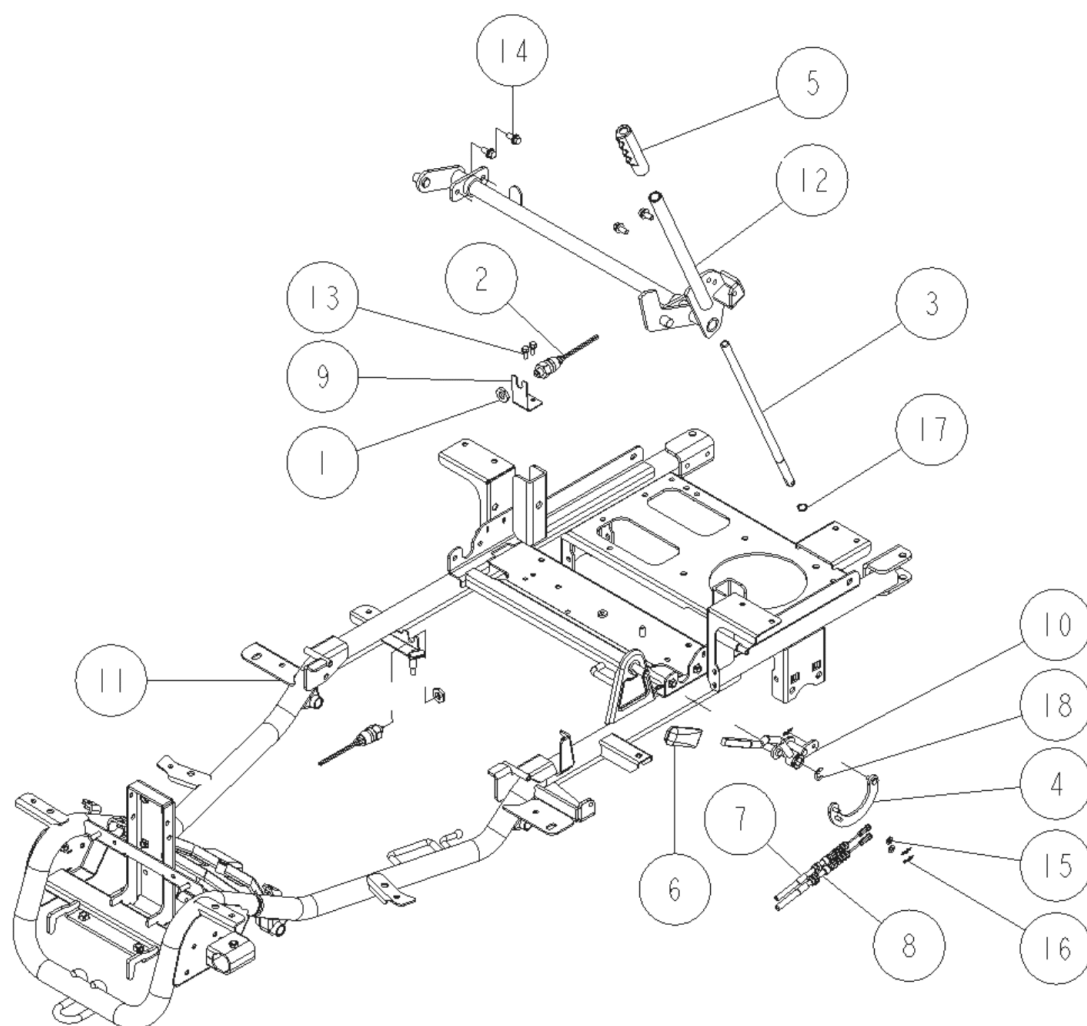
PL02451



08/2017

Number	Part Number	Name	Quantity
1	34289	PULLEY	1,000
2	34126	LEVER	1,000
3	34127	LEFT ROD	1,000
4	34128	RIGHT ROD	1,000
5	34129	ADJUST ROD	1,000
6	34164	BRAKE PLATE	1,000
7	44092	GAZ CYLINDER	1,000
8	34124	LEVER	1,000
9	27390	WASHER 12X24X1	1,000
10	27896	SCREW+WASHER HM6X12	1,000
11	-	-	1,000
13	34315	NUT 8	1,000
15	34318	WASHER 6	1,000
16	34319	WASHER 8X18X1,6	1,000
17	27324	SNAP PIN 8	1,000
18	27751	SNAP PIN 6	1,000
19	34335	AXLE 6X20	1,000
20	34336	AXLE 8X28	1,000
21	44219	AXLE 8X69	1,000
22	27520	BUSH MB 122 ODV	1,000
23	27349	DU BUSH 10.15.18F	1,000

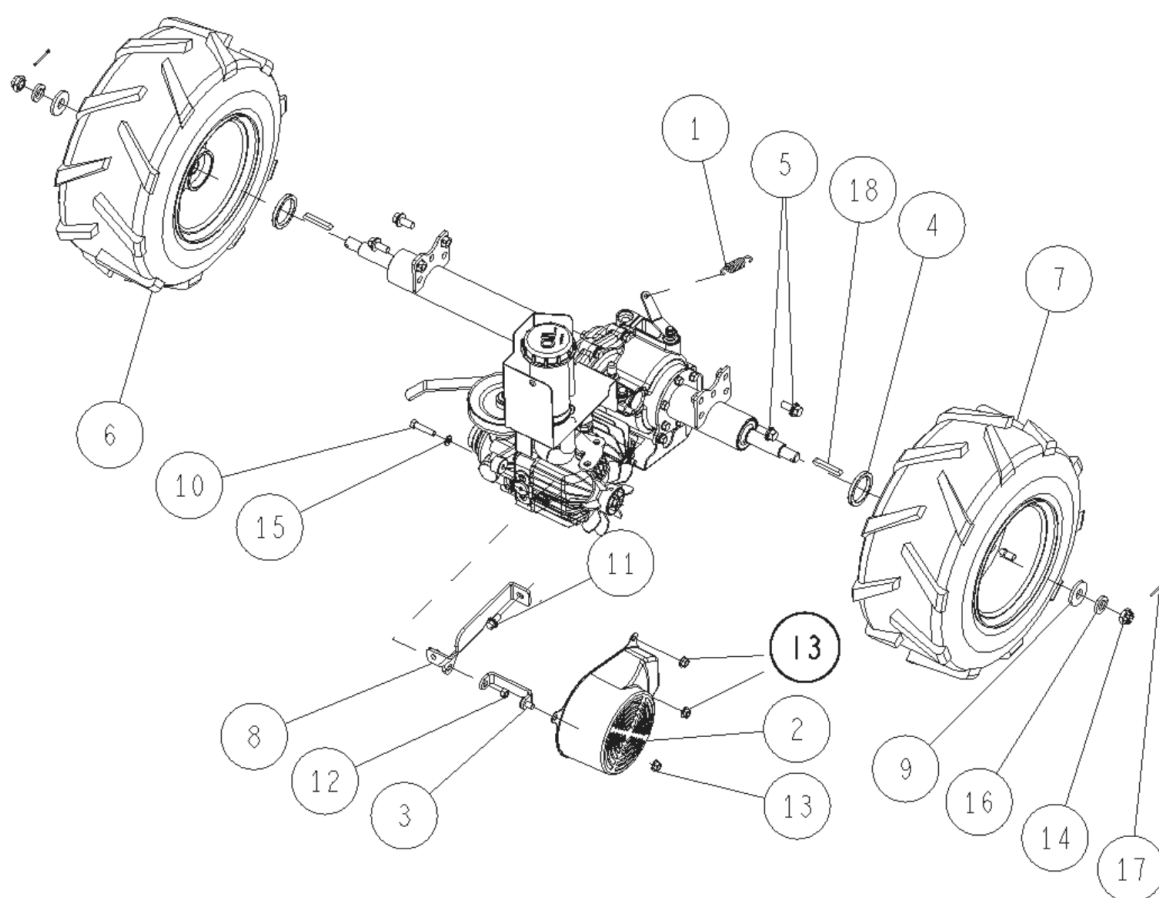
PL02452



08/2017

Number	Part Number	Name	Quantity
1	27856	SWITCH LOCK NUT	1,000
2	27855	SAFETY SWITCH	1,000
3	43975	LEVER AXLE	1,000
4	34141	CABLE PLATE	1,000
5	34219	GRIP	1,000
6	43987	BLADE LEVER HANDLE	1,000
7	44094	BLADE BRAKE CABLE	1,000
8	44093	BLADE CLUTCH CABLE	1,000
9	44053	SECUR.SWITCHBRACKET	1,000
10	44177	CLUTCH LEVER	1,000
11	44109	FRAME AK88	1,000
12	44052	UP/DOWN ADJUS.SHAFT	1,000
13	-	-	1,000
14	34309	SCREW M8X20	1,000
15	34318	WASHER 6	1,000
16	27751	SNAP PIN 6	1,000
17	34338	CIRCLIP 13	1,000
18	27313	SNAP RING E TYPE 12	1,000

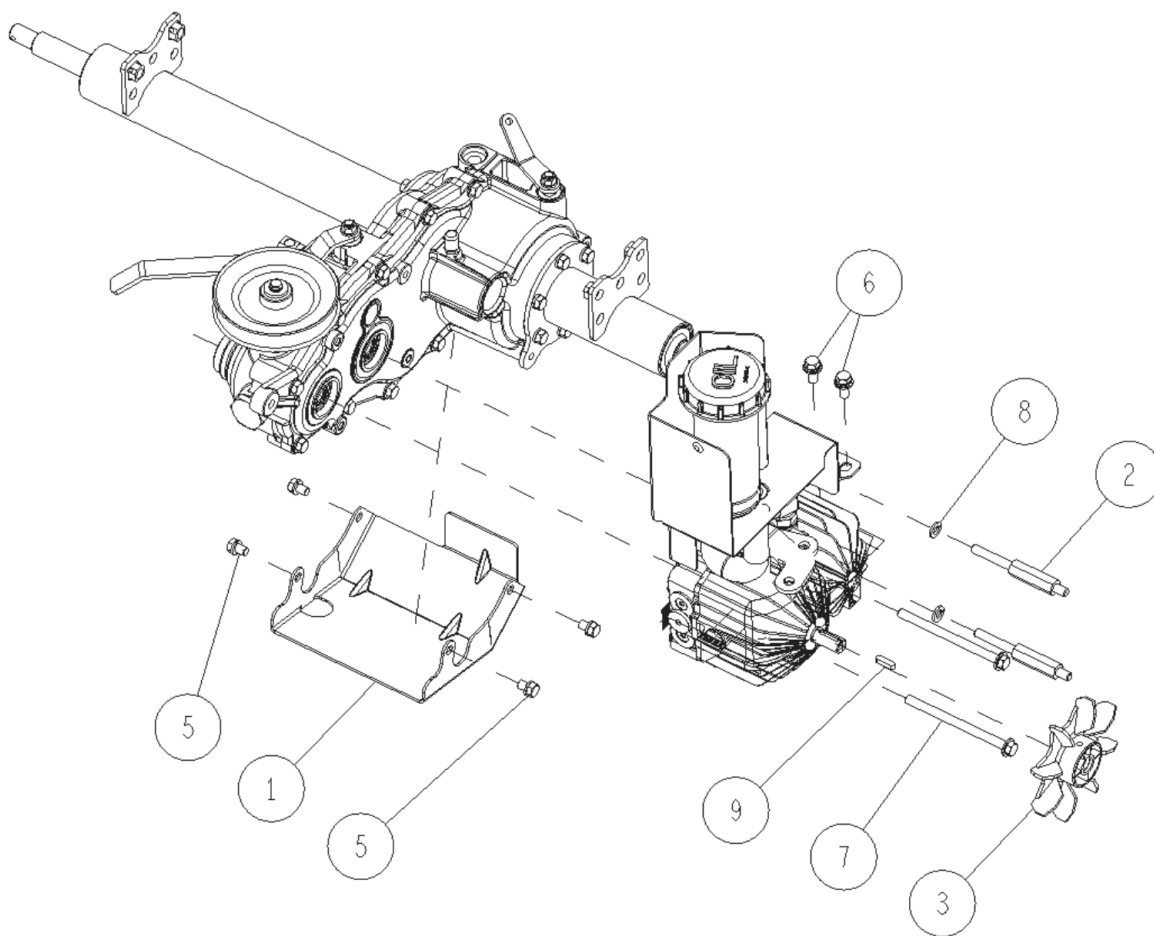
PL02453



08/2017

Number	Part Number	Name	Quantity
1	27307	SPRING	1,000
2	27844	FAN COVER	1,000
3	27843	FAN COVER SETTING	1,000
4	27712	WHEEL BOS DUST SEAL	1,000
5	34269	SCREW M10X25	1,000
6	27239	LEFT REAR WHEEL	1,000
7	27244	RIGHT REAR WHEEL	1,000
8	44098	REAR DECK FIXING	1,000
9	27437	WASHER 16X40X4,5	1,000
10	-	-	1,000
11	34309	SCREW M8X20	1,000
13	27501	NUT FLANGE M8	1,000
14	27435	NUT M16	1,000
15	71343	SPRING WASHER A8	1,000
16	27436	SPRING WASHER	1,000
17	34332	PIN 3.5X35	1,000
18	27556	KEY 7X50	1,000

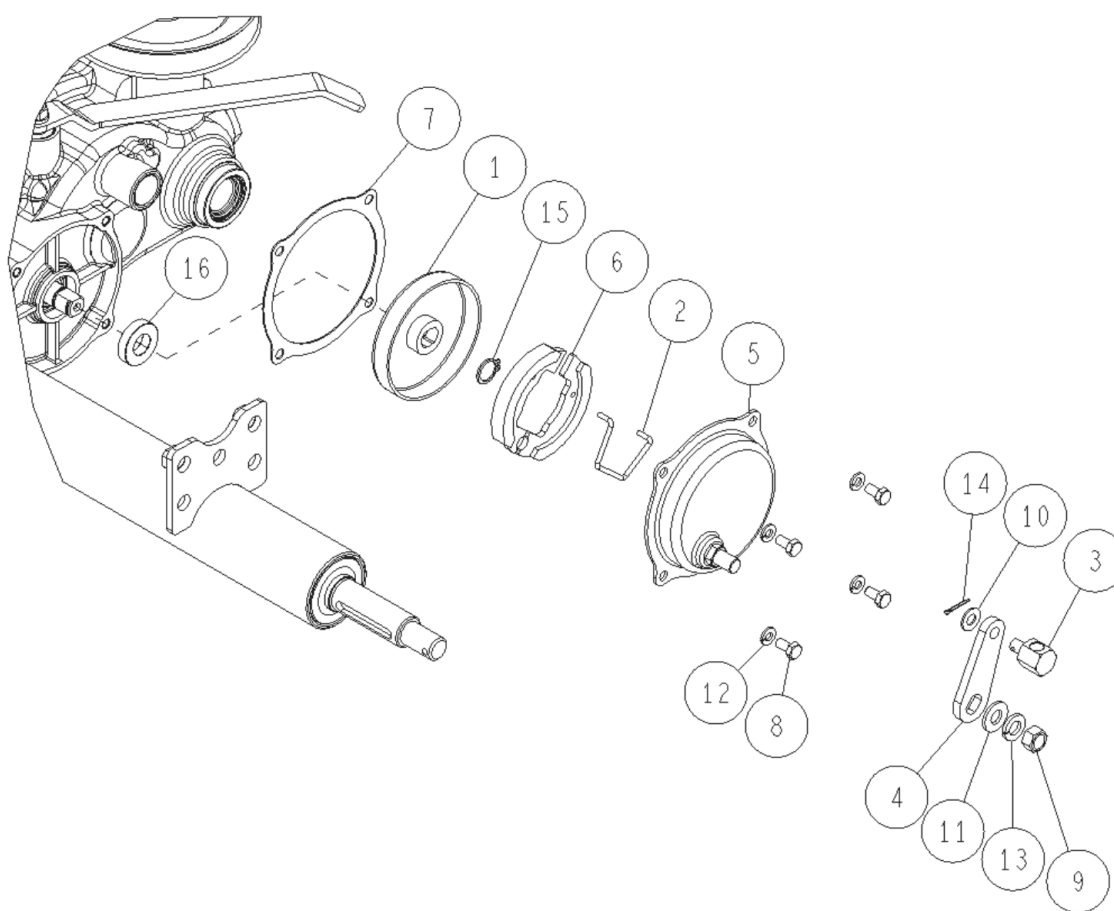
PL02454



08/2017

Number	Part Number	Name	Quantity
1	27845	MISSION GUARD	1,000
2	27839	DOUBLE SPRING BOLT	1,000
3	27841	FAN	1,000
5	-	-	1,000
6	34309	SCREW M8X20	1,000
7	27840	FLANGE MINI BOLT	1,000
8	71343	SPRING WASHER A8	1,000
9	27690	KEY 5X20	1,000

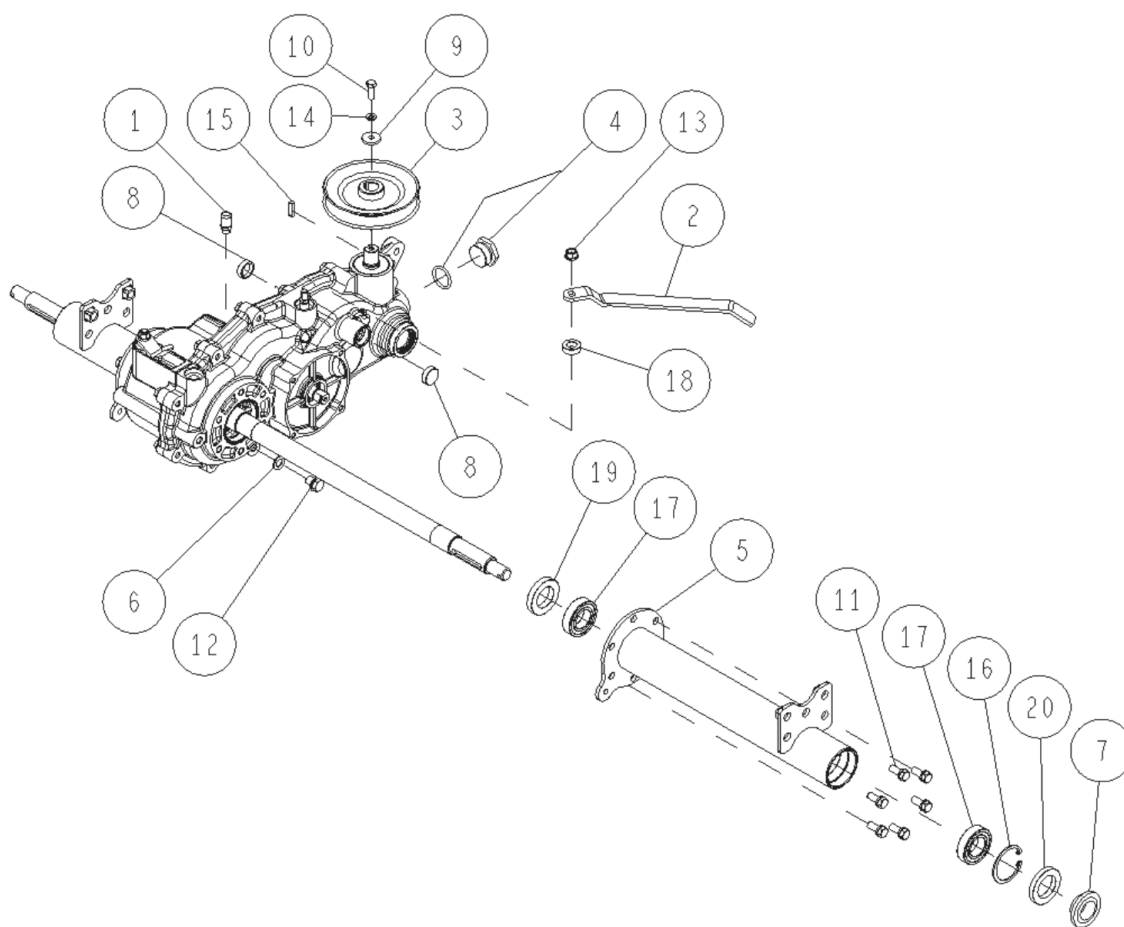
PL02455



08/2017

Number	Part Number	Name	Quantity
1	27453	BRAKE DRUM (PA-7)	1,000
2	34285	SPRING	1,000
3	27820	BRAKE JOINT	1,000
4	-	-	1,000
5	27819	BRAKE CAP ASSY	1,000
6	27455	BRAKE SHOE SET	1,000
7	43991	GASKET	1,000
8	27457	HEXA.SCREW M6X12 8T	1,000
10	34319	WASHER 8X18X1,6	1,000
11	34321	WASHER 10X21X2	1,000
12	71049	SPRING WASHER,DIN 1	1,000
13	71052	SPRING WASHER,DIN 1	1,000
14	27337	SPLINT PIN 2X15	1,000
15	34339	CIRCLIP 15	1,000
16	27818	OIL SEAL UE 15X30X7	1,000

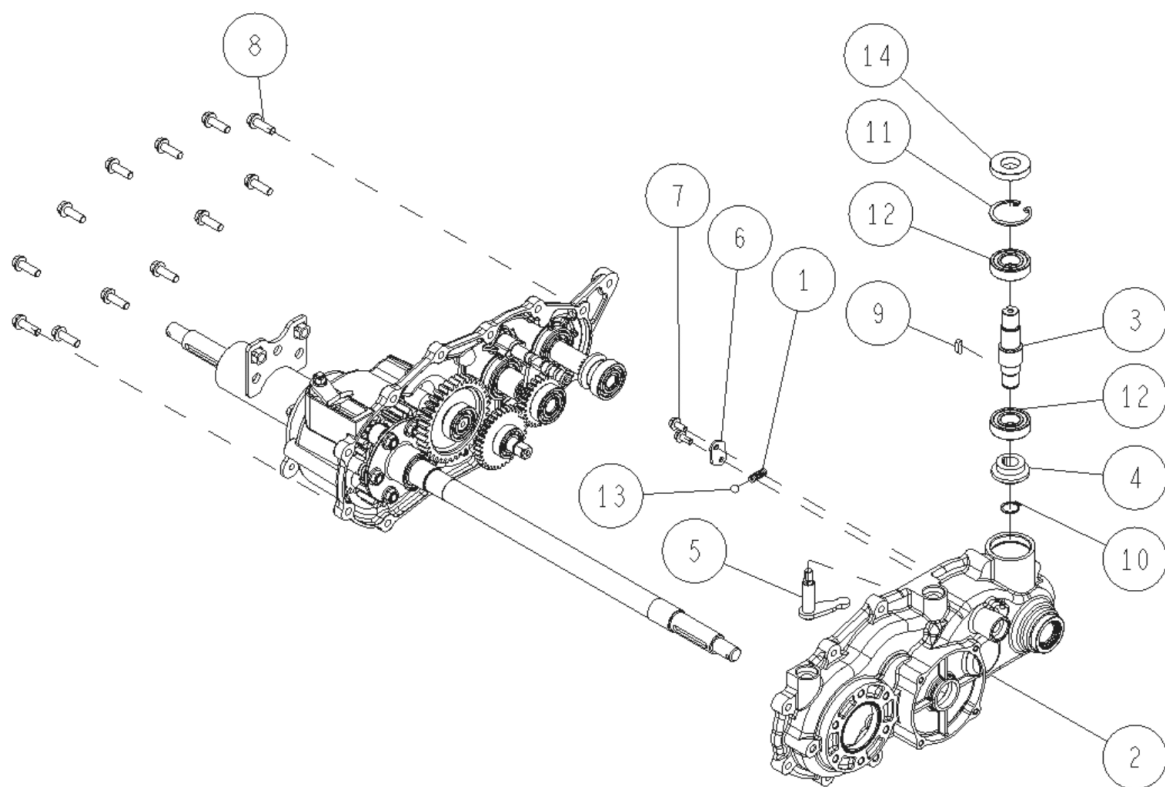
PL02456



08/2017

Number	Part Number	Name	Quantity
1	27829	AIR BLEEZER	1,000
2	27952	SUB CHANGE ARM	1,000
3	34586	PULLEY	1,000
4	34670	PLUG + GASKET	1,000
5	34662	AXLE CASE LEFT	1,000
6	27535	WASHER 10,5X18X1,6	1,000
7	27441	OIL SEAL AP 30X47X7	1,000
8	27831	BLACK CAP 22	1,000
9	27220	WASHER 6,5X22X3,2	1,000
10	-	-	1,000
12	27605	SCREW M10-12 (125)	1,000
13	34315	NUT 8	1,000
14	71049	SPRING WASHER,DIN 1	1,000
15	27796	KEY 5X20	1,000
16	27442	SNAP RING 47	1,000
17	27653	BEARING 6005	1,000
18	27806	OIL SEAL 12X22X7	1,000
19	34345	GASKET 28.47.8	1,000
20	34346	GASKET 30.47.7	1,000

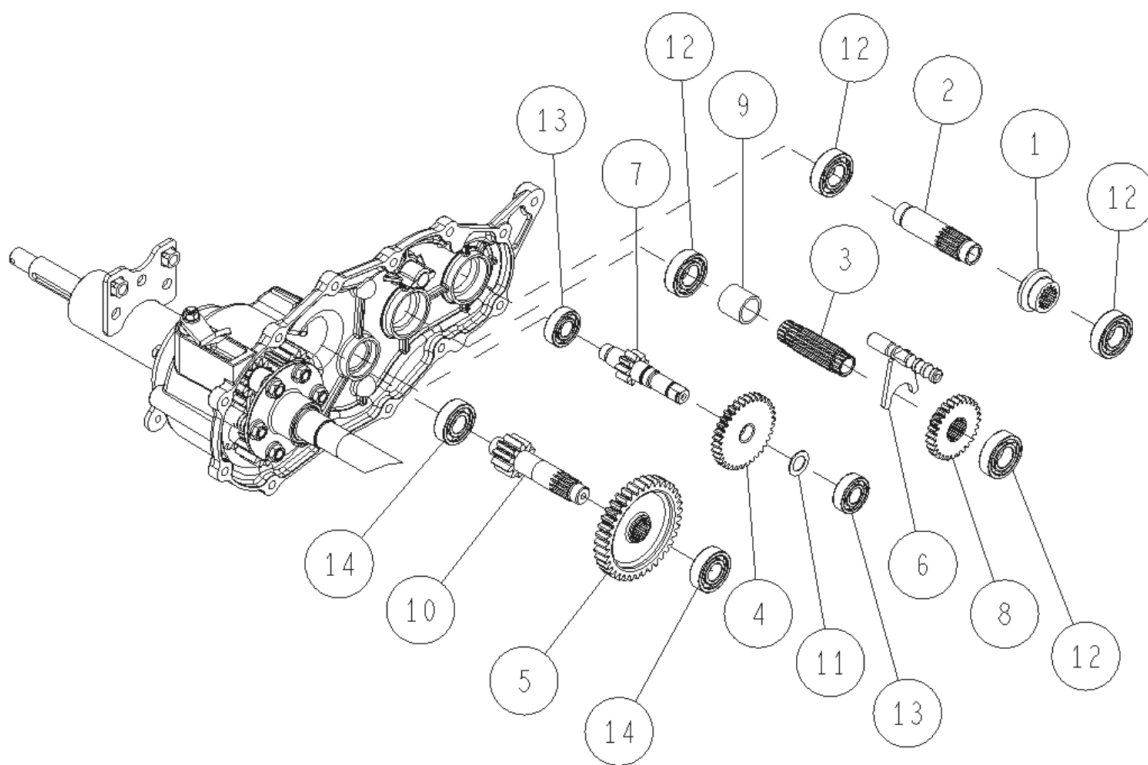
PL02457



08/2017

Number	Part Number	Name	Quantity
1	27803	SPRING 1,4	1,000
2	27791	TRANSMIS.CASE LEFT	1,000
3	34664	INPUT SHAFT	1,000
4	27795	20T SPIR.MITA GEAR	1,000
5	27800	SWING ARM	1,000
6	27804	SHIFT SPRING HOLDER	1,000
7	27805	TAB TIGHT M6X14	1,000
8	27830	HEX.TAP TIGHT M8X25	1,000
9	27794	KEY 5X16	1,000
10	27376	SNAP RING 17	1,000
11	27797	SNAP RING 42	1,000
12	27651	BEARING 6004	1,000
13	27802	STEEL BALL D.8	1,000
14	34681	GASKET	1,000

PL02458

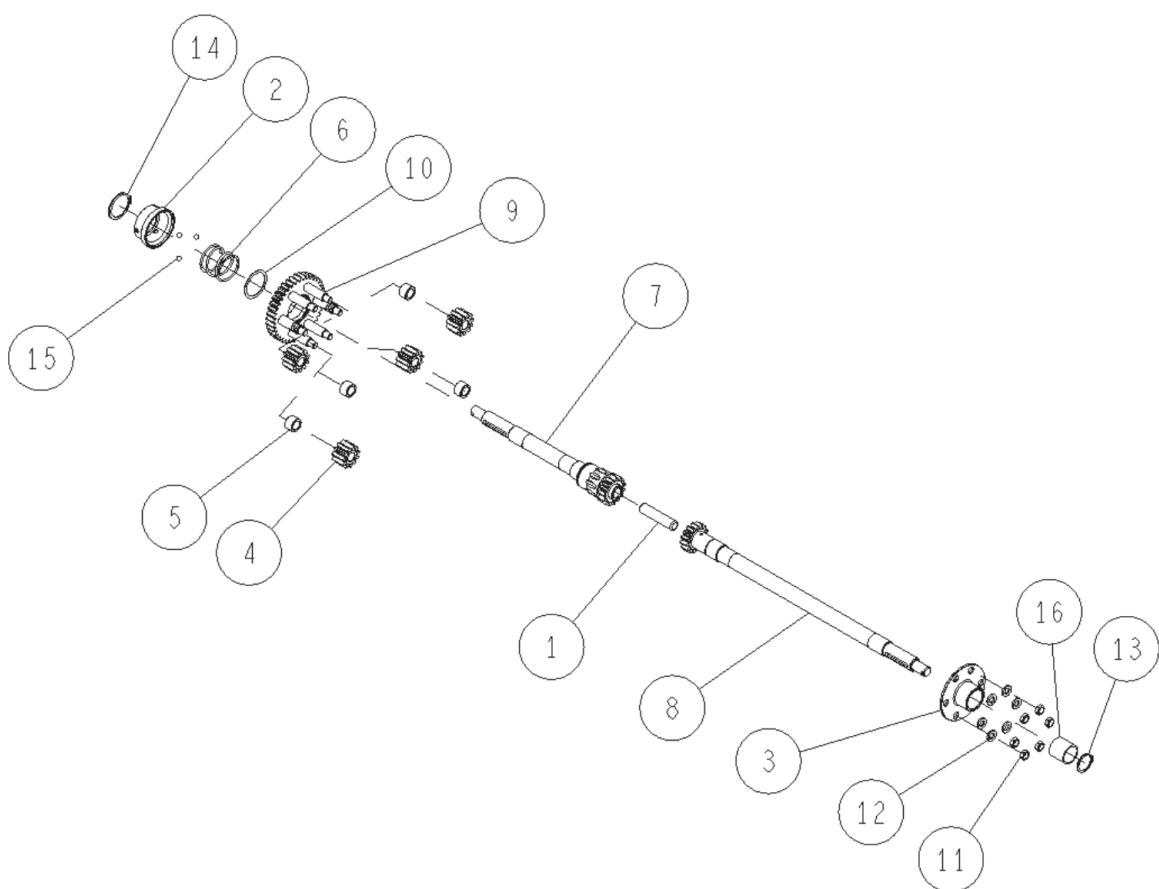


08/2017

Number	Part Number	Name	Quantity
1	27809	20T SPIRAL MIT GEAR	1,000
2	27808	B AXLE	1,000
3	27810	C AXLE	1,000
4	27816	BRAKE SHAFT 34TGEAR	1,000
5	27821	D AXLE 37T GEAR	1,000
6	27801	SHIFT FORK	1,000
7	34690	BRAKE AXLE	1,000
8	27953	SHIFT GEAR	1,000
9	27954	COLLAR	1,000
10	34116	AXLE (D)	1,000
11	27813	WASHER 15X24X1	1,000
12	27651	BEARING 6004	1,000
13	40465	BEARING 6202	1,000
14	27649	BEARING 6203	1,000

Number	Part Number	Name	Quantity
1	27500	DIFFERENT.LOCK ARM	1,000
2	27464	FORK	1,000
3	27792	TRANSMIS.CASE RIGHT	1,000
4	27822	DIF.LOCK FORK SHAFT	1,000
5	34663	AXLE CASE RIGHT	1,000
6	27441	OIL SEAL AP 30X47X7	1,000
7	-	-	1,000
8	34315	NUT 8	1,000
9	27824	SPRING PIN 3X20	1,000
10	27465	SPRING PIN 5X22	1,000
11	27442	SNAP RING 47	1,000
12	27653	BEARING 6005	1,000
13	27806	OIL SEAL 12X22X7	1,000
14	34345	GASKET 28.47.8	1,000
15	34346	GASKET 30.47.7	1,000

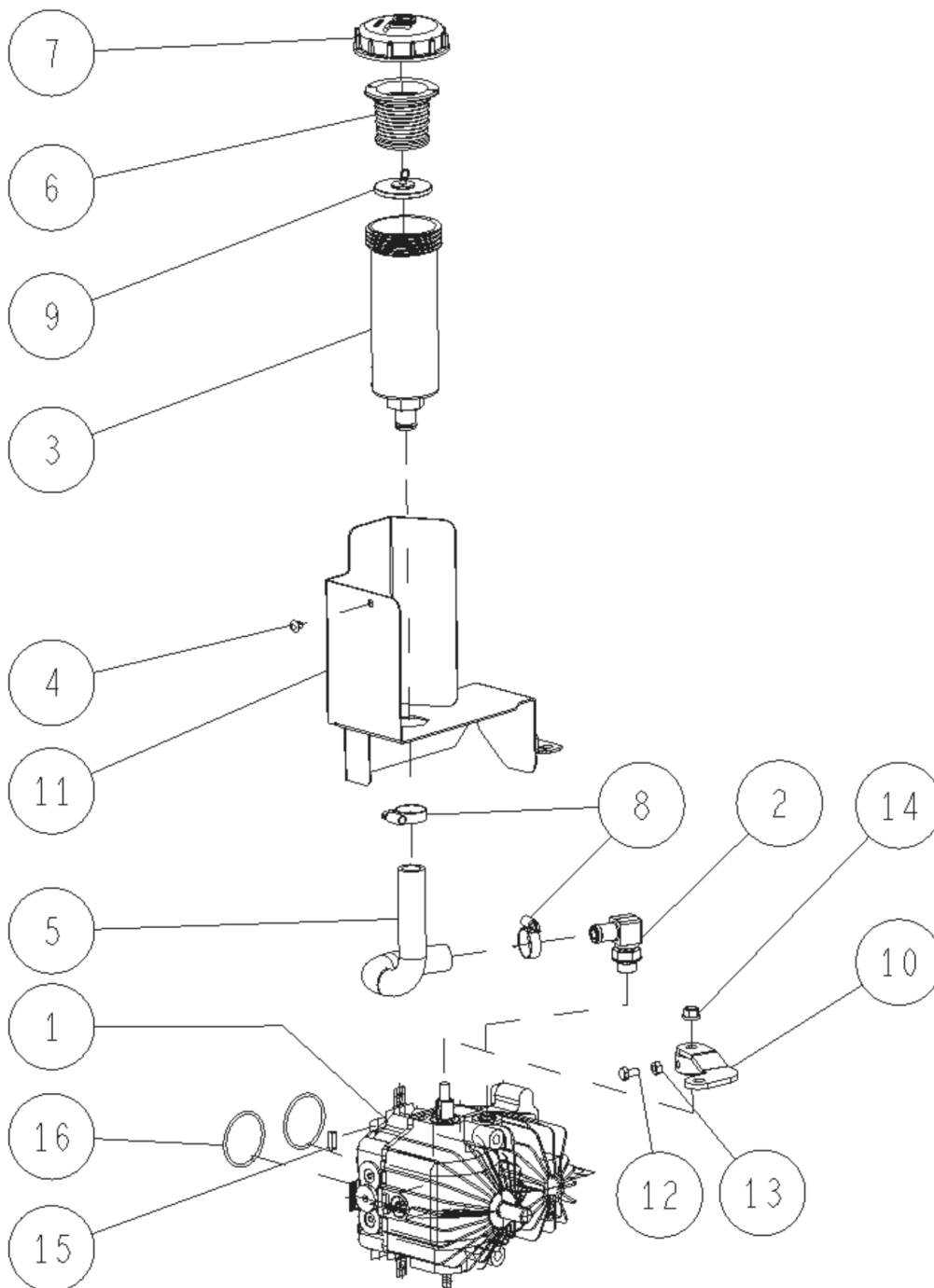
PL02460



08/2017

Number	Part Number	Name	Quantity
1	27490	AXLE PIN	1,000
2	27485	DIFF.LOCK CONE	1,000
3	27492	DIFF.LOCK PLATE	1,000
4	27495	DIFF.LOCK GEAR 11T	1,000
5	27496	AXLE COLLAR DIFF.	1,000
6	27486	DIFF.LOCK SPRING	1,000
7	27718	AXLE RIGHT	1,000
8	27686	AXLE LEFT	1,000
9	34115	AXLE GEAR	1,000
10	27487	WASHER 40X48X1,0	1,000
11	34317	NUT 10	1,000
12	71052	SPRING WASHER,DIN 1	1,000
13	27494	SNAP RING 28	1,000
14	27638	OUT.CIRCLIP 40	1,000
15	27481	STEEL BALL DIA.7,5	1,000
16	27493	BUSH 28.30	1,000

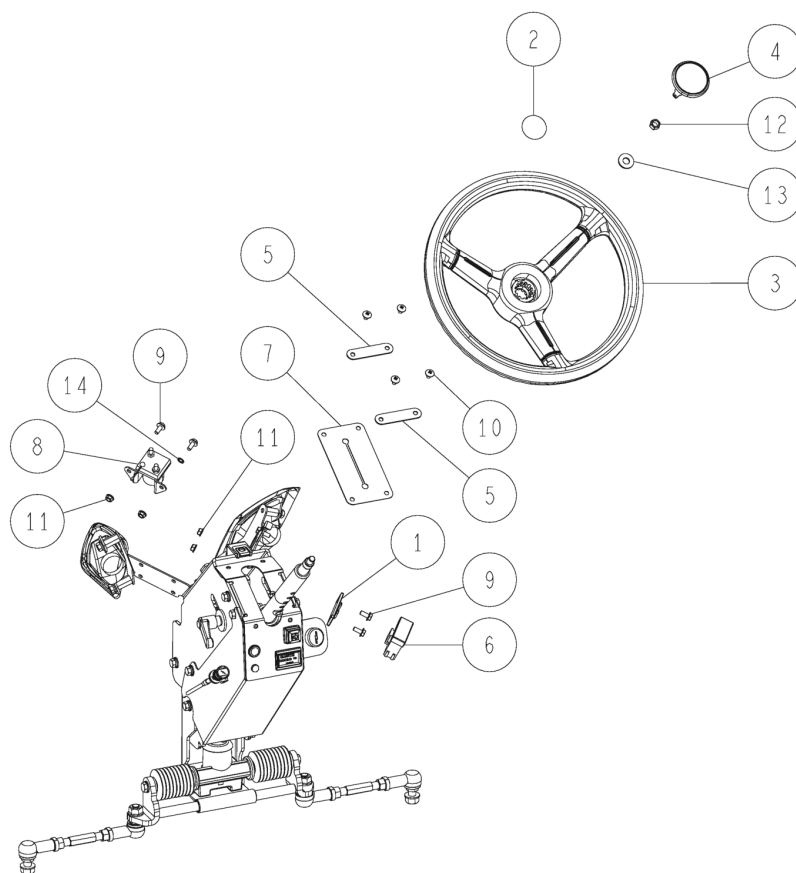
PL02461



08/2017

Number	Part Number	Name	Quantity
1	27790	HST UNIT	1,000
2	27832	PORT JOINT	1,000
3	27967	OIL TANK	1,000
4	27969	CLIP	1,000
5	34238	HOSE	1,000
6	43986	TANK FILTER	1,000
7	34867	TANK CAP	1,000
8	27965	HOSE BAND 24	1,000
9	44087	ABSORBER	1,000
10	44168	LEVEL GUIDE	1,000
11	44169	COMPENSATION TANK	1,000
12	27457	HEXA.SCREW M6X12 8T	1,000
13	-	-	1,000
14	34315	NUT 8	1,000
16	27838	O-RING G45	1,000

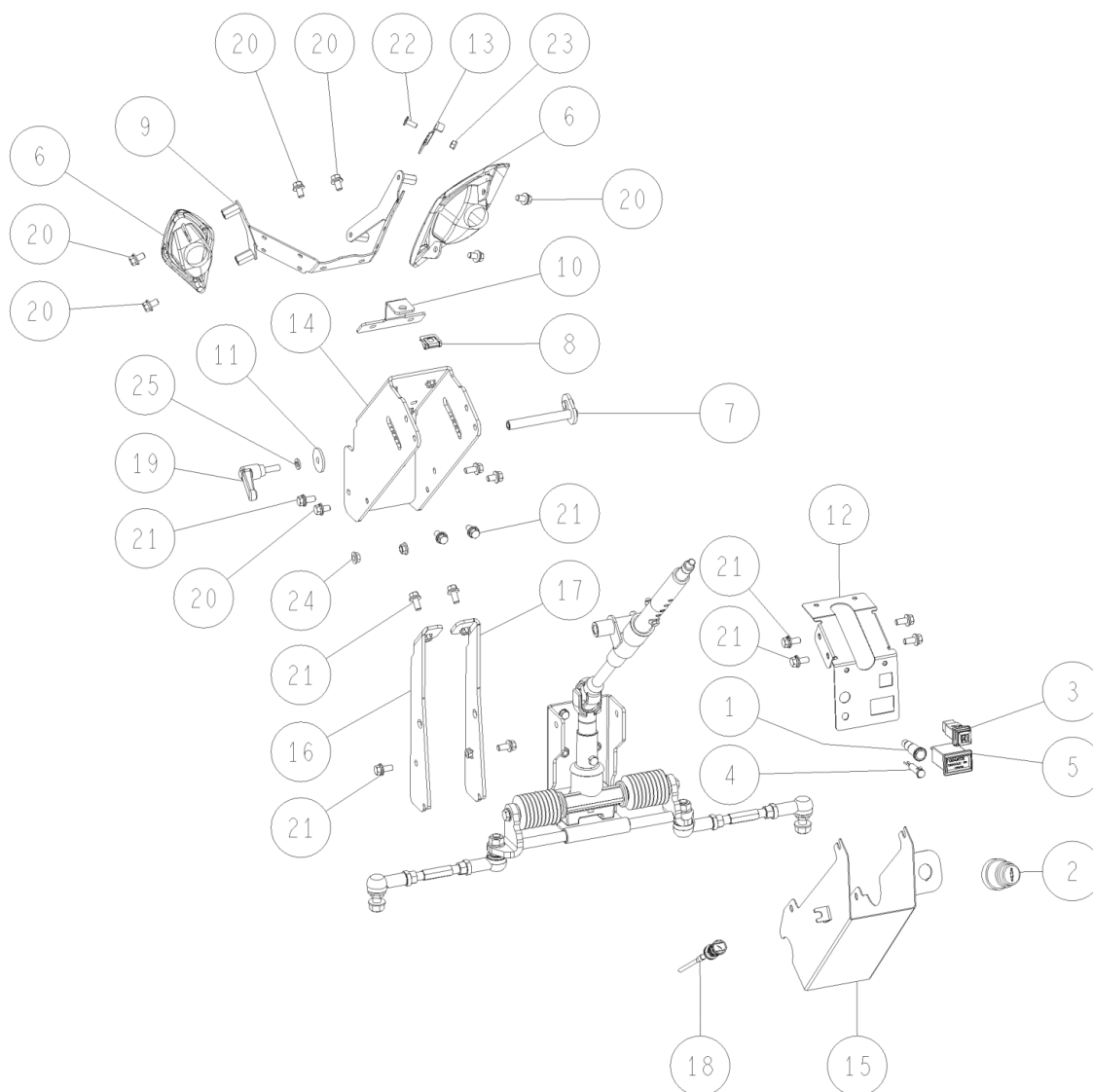
PL02610



10/2019

Number	Part Number	Name	Quantity
1	27992	FUSE BRACKET	1,000
2	27637	STEERING WHEEL	1,000
3	27430	STEERING WHEEL	1,000
4	34661	STEERING CAP	1,000
5	43996	STEAL PLATE	1,000
6	44039	CAP	1,000
7	44049	PROTECTION	1,000
8	27241	MAGNETIC SWITCH	1,000
9	34302	SCREW M6X15	1,000
10	34303	SCREW M6X10	1,000
11	34313	NUT 6	1,000
12	-	-	1,000
13	34323	WASHER 10	1,000
14	34328	TOOTHED WASHER 6	1,000

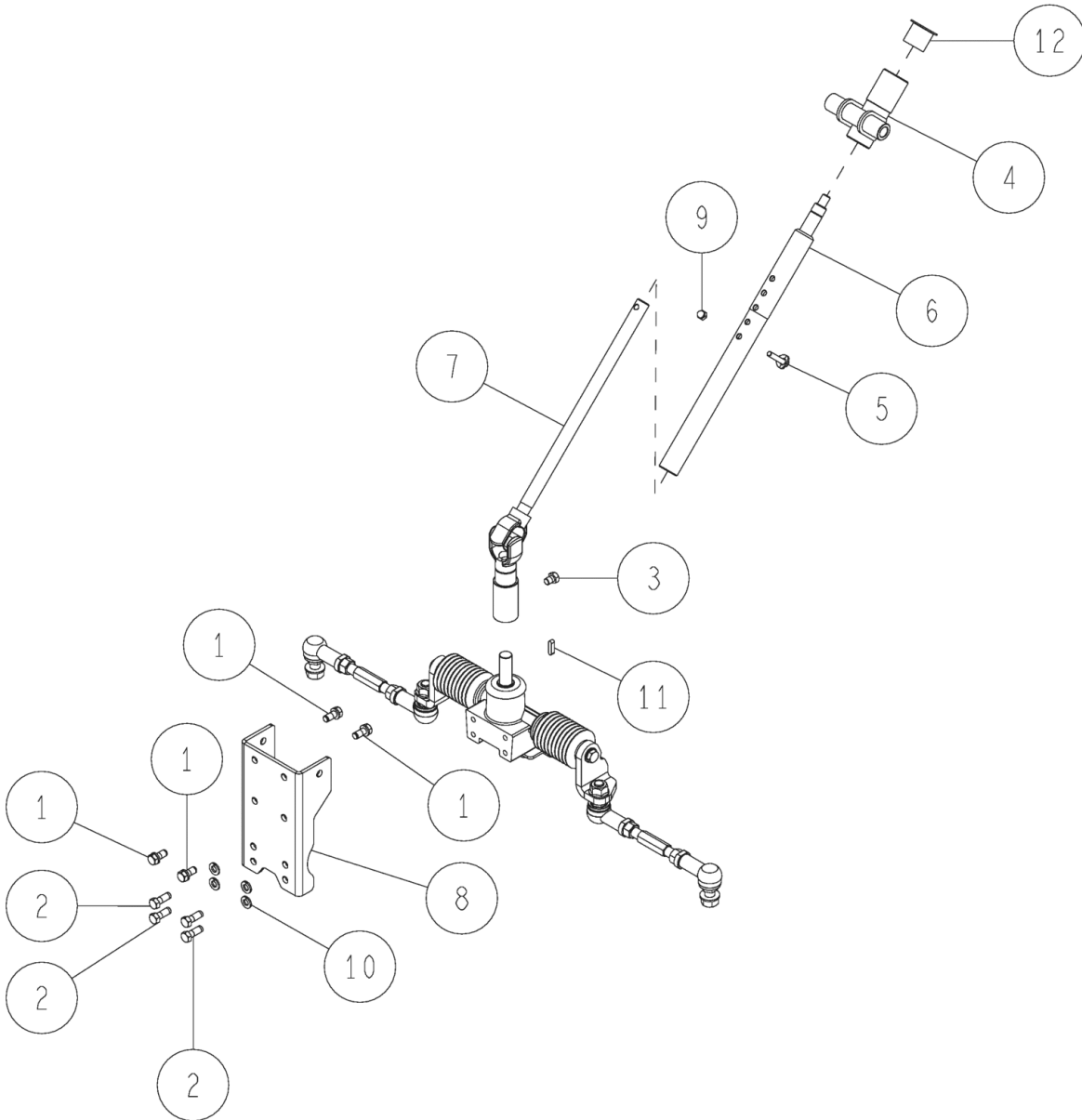
PL02611



10/2019

Number	Part Number	Name	Quantity
1	27991	INDICATOR	1,000
2	34103	KEY SWITCH+2 KEYS	1,000
3	34220	SWITCH	1,000
5	34245	HOUR COUNTER	1,000
6	44281	FRONT LIGHT	1,000
7	44048	AXLE	1,000
8	44083	CLIP DIA.6	1,000
9	44285	BRACKET	1,000
10	44282	HOOD FIXING	1,000
11	-	-	1,000
12	44114	INDICATOR BRACKET	1,000
13	44185	BRACKET	1,000
15	44296	KEY SWITCH BRACKET	1,000
16	44297	REINFORCING LEFT	1,000
17	44298	REINFORCING RIGHT	1,000
18	44205	STARTER CABLE	1,000
19	44207	LEVER	1,000
20	34308	SCREW M8X16	1,000
21	34309	SCREW M8X20	1,000
22	34312	SCREW M6X16	1,000
23	34314	NUT 6	1,000
24	27501	NUT FLANGE M8	1,000
25	71343	SPRING WASHER A8	1,000

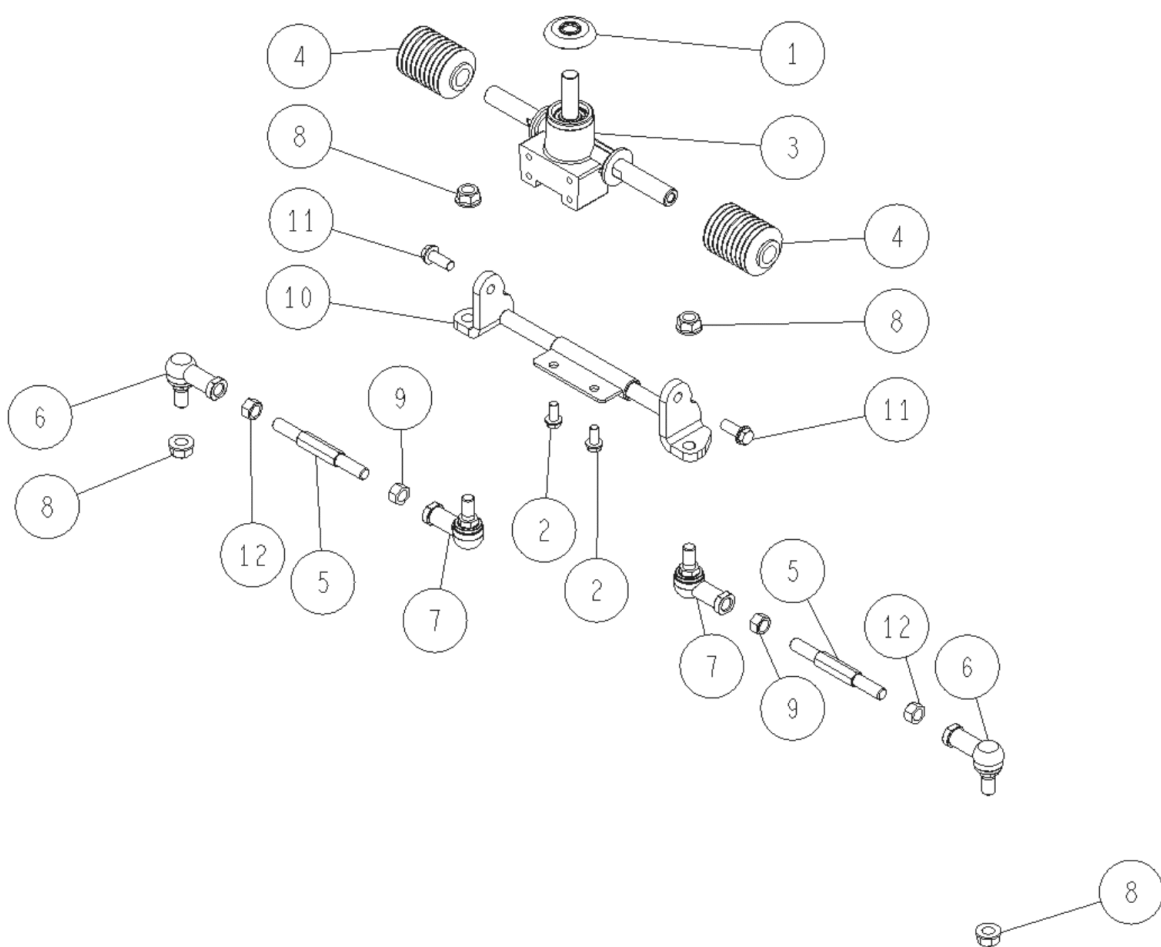
PL02612



10/2019

Number	Part Number	Name	Quantity
1	-	-	1,000
4	44181	GUIDE	1,000
5	44184	AXLE	1,000
6	44299	STEER.COLUM SHAFT	1,000
7	44300	STEERING COLUMN	1,000
8	44301	STEERING BRACKET	1,000
10	71343	SPRING WASHER A8	1,000
11	27690	KEY 5X20	1,000
12	44221	RING 25-25-36F	1,000

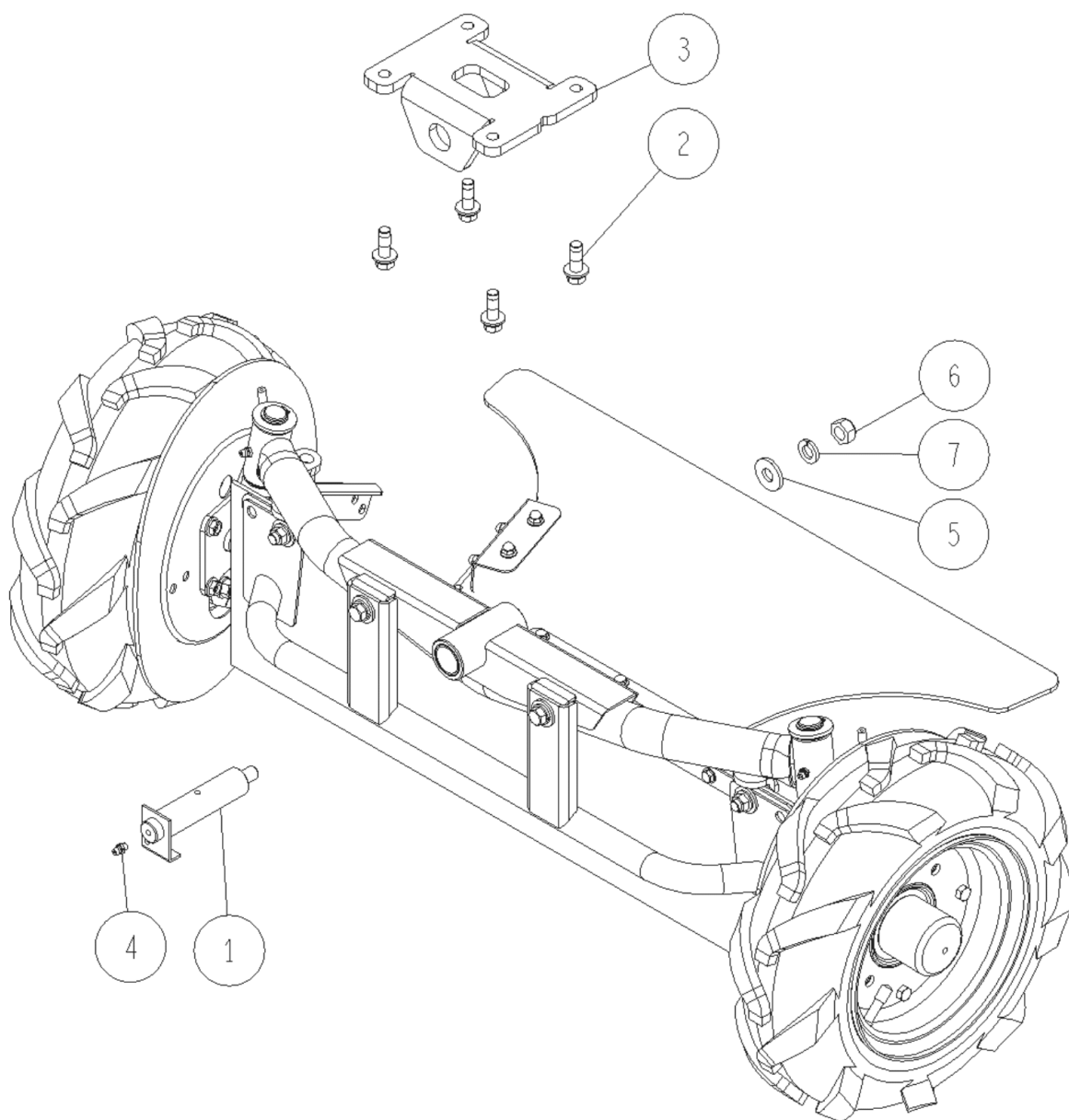
PL02465



08/2017

Number	Part Number	Name	Quantity
1	27423	BEARING COVER	1,000
2	34284	SCREW M8X18	1,000
3	27611	STEER.GEARBOX ASSY	1,000
4	27230	STEERING BOOTS	1,000
5	27662	TIE ROD ADJUSTER	1,000
6	27577	BALL LHSA10DE21-125	1,000
7	27580	BALL LHSA10D21-125L	1,000
8	27209	LOK NUT M10X125	1,000
9	27579	COUNTERNUT M10X125L	1,000
10	44046	BRACKET	1,000
11	34311	SCREW M10X25	1,000
12	27578	COUNTERNUT M10X125	1,000

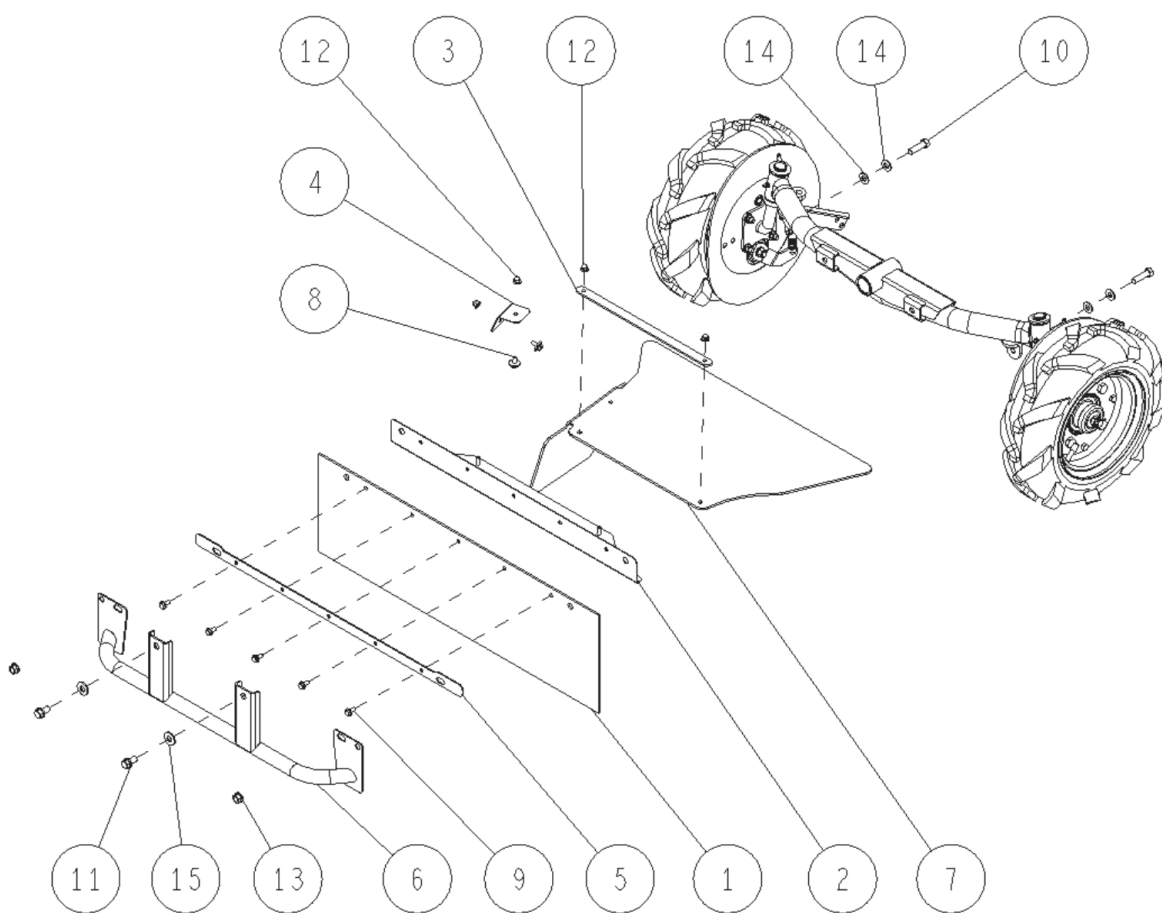
PL02466



08/2017

Number	Part Number	Name	Quantity
1	27661	CENTER PIN	1,000
2	-	-	1,000
3	44058	FRONT AXLE BRACKET	1,000
4	27246	GREASE NIPPEL	1,000
7	27353	SPRING WASHER A12	1,000

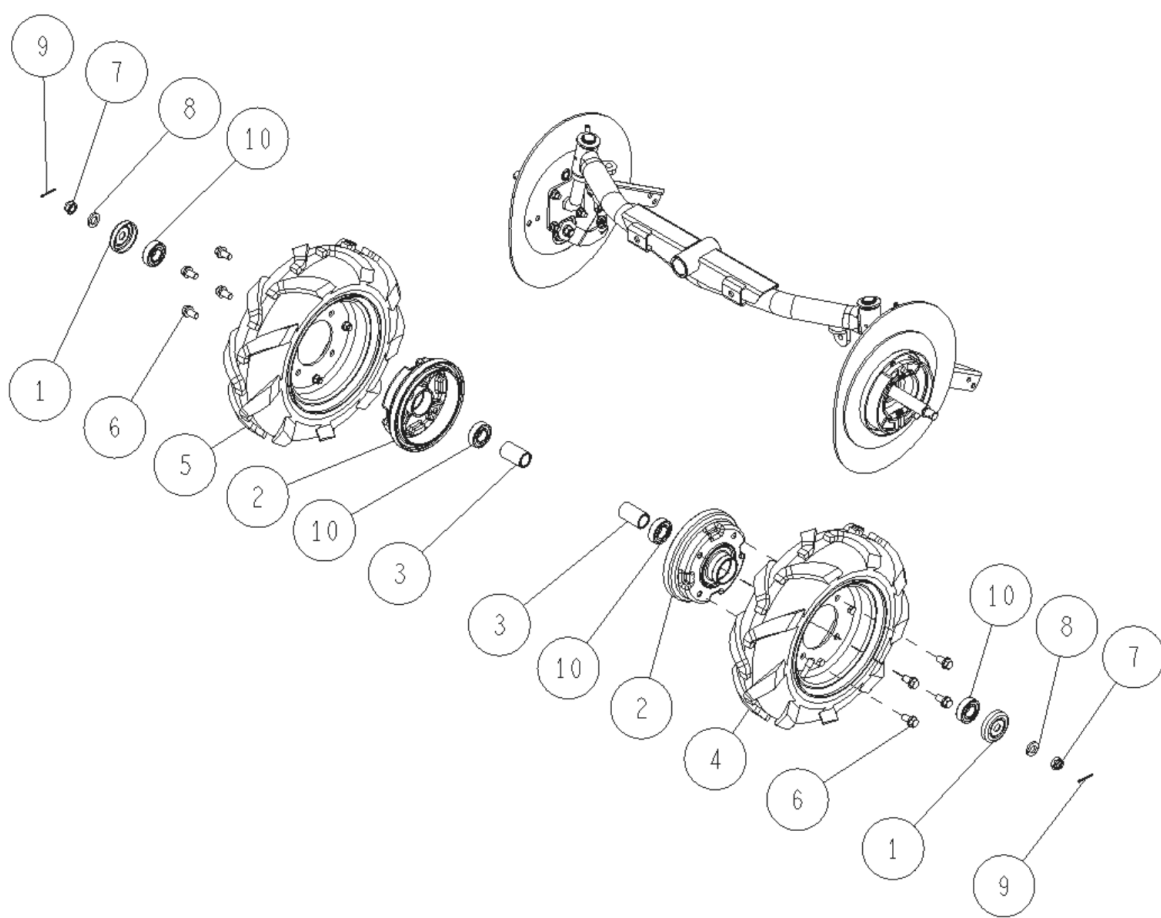
PL02467



08/2017

Number	Part Number	Name	Quantity
1	44015	FRONT FLAPPER	1,000
2	44059	BRACKET	1,000
3	44060	FRONT GUARD	1,000
4	44061	WIND BLOCKING PLATE	1,000
5	44106	FRONT GUARD	1,000
6	44107	FOOT PROTECTION	1,000
7	44118	UPPER FLAPPER	1,000
8	34298	SCREW M6X16	1,000
9	34302	SCREW M6X15	1,000
10	-	-	1,000
15	34323	WASHER 10	1,000

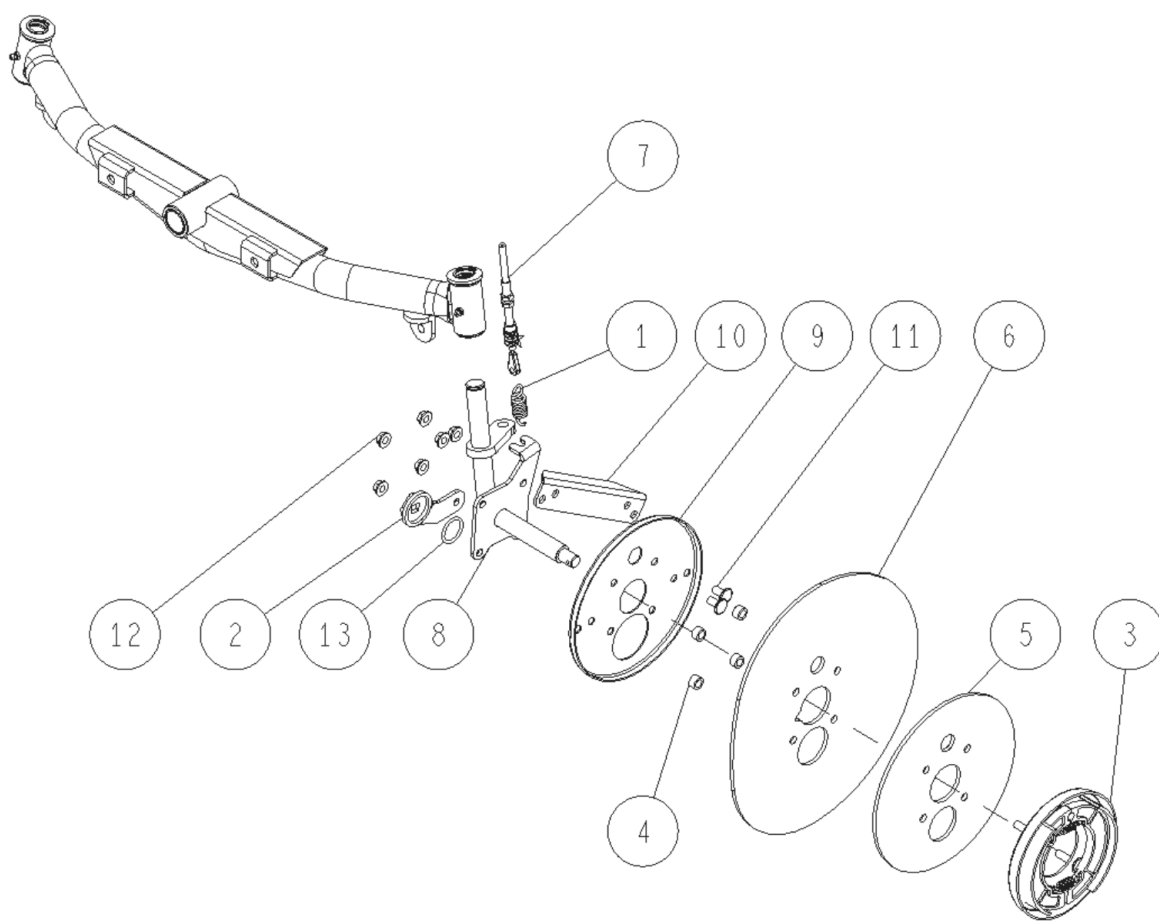
PL02468



08/2017

Number	Part Number	Name	Quantity
1	27667	FR.WHEEL DUST COVER	1,000
2	34635	WHEEL BOSS	1,000
3	34636	BUSH	1,000
4	27236	LEFT FRONT WHEEL	1,000
5	27237	RIGHT FRONT WHEEL	1,000
6	-	-	1,000
9	27668	SPLIT PIN 2,5X25	1,000
10	27651	BEARING 6004	1,000

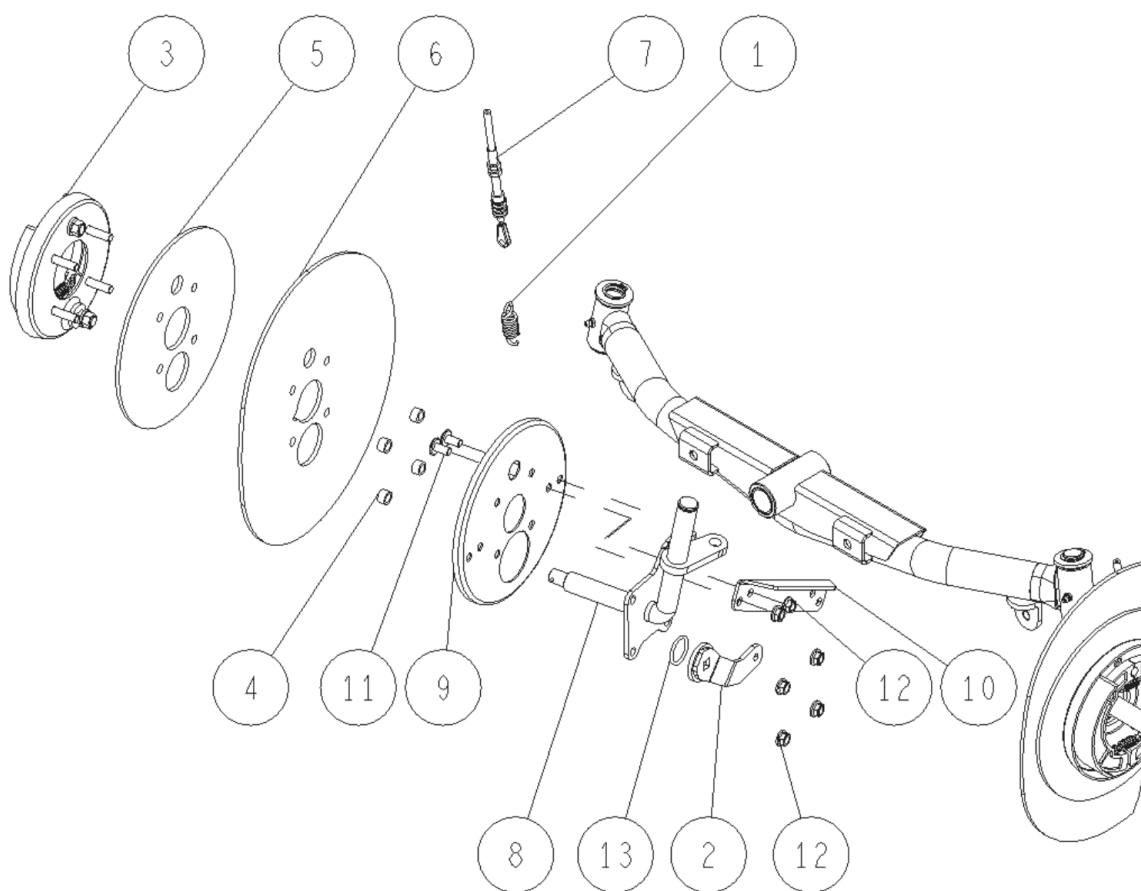
PL02469



08/2017

Number	Part Number	Name	Quantity
1	27307	SPRING	1,000
2	34637	LEFT BRAKE LEVER	1,000
3	34641	FRONT BRAKE SHOE	1,000
4	34697	SPACER	1,000
5	34642	FRONT WHEEL COVER	1,000
6	34643	FRONT WHEEL COVER	1,000
7	34644	FRONT BRAKE CABLE	1,000
8	34749	LEFT STUB AXLE	1,000
9	44042	BRAKE COVER	1,000
10	44197	BRACKET	1,000
11	27729	WELDED BOLT M8X16	1,000
12	27501	NUT FLANGE M8	1,000
13	34682	O-RING	1,000

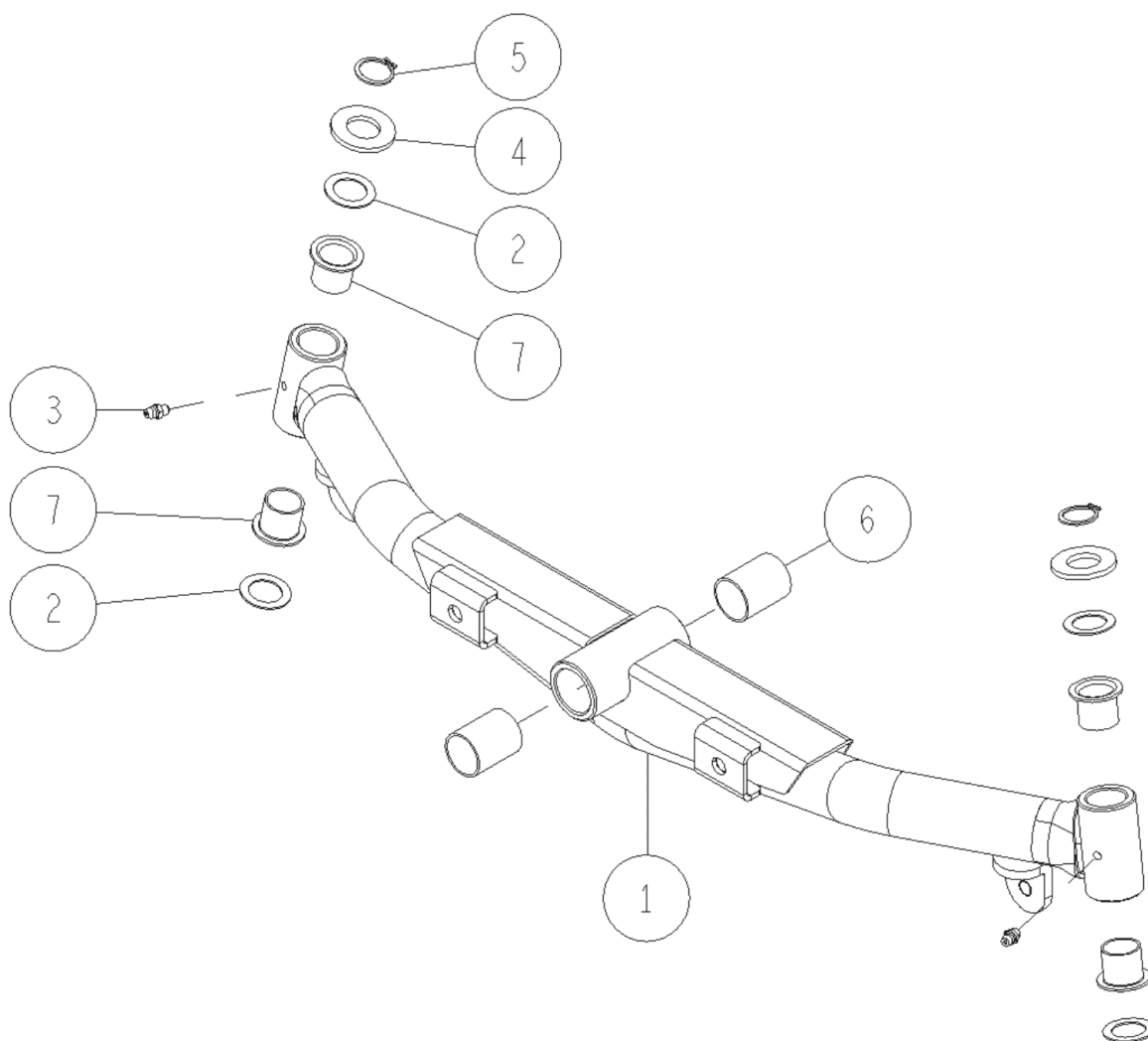
PL02470



08/2017

Number	Part Number	Name	Quantity
1	27307	SPRING	1,000
2	34638	RIGHT BRAKE LEVER	1,000
3	34641	FRONT BRAKE SHOE	1,000
4	34697	SPACER	1,000
5	34642	FRONT WHEEL COVER	1,000
6	34643	FRONT WHEEL COVER	1,000
7	34644	FRONT BRAKE CABLE	1,000
8	34748	RIGHT STUB AXLE	1,000
9	44042	BRAKE COVER	1,000
10	44197	BRACKET	1,000
11	27729	WELDED BOLT M8X16	1,000
12	27501	NUT FLANGE M8	1,000
13	34682	O-RING	1,000

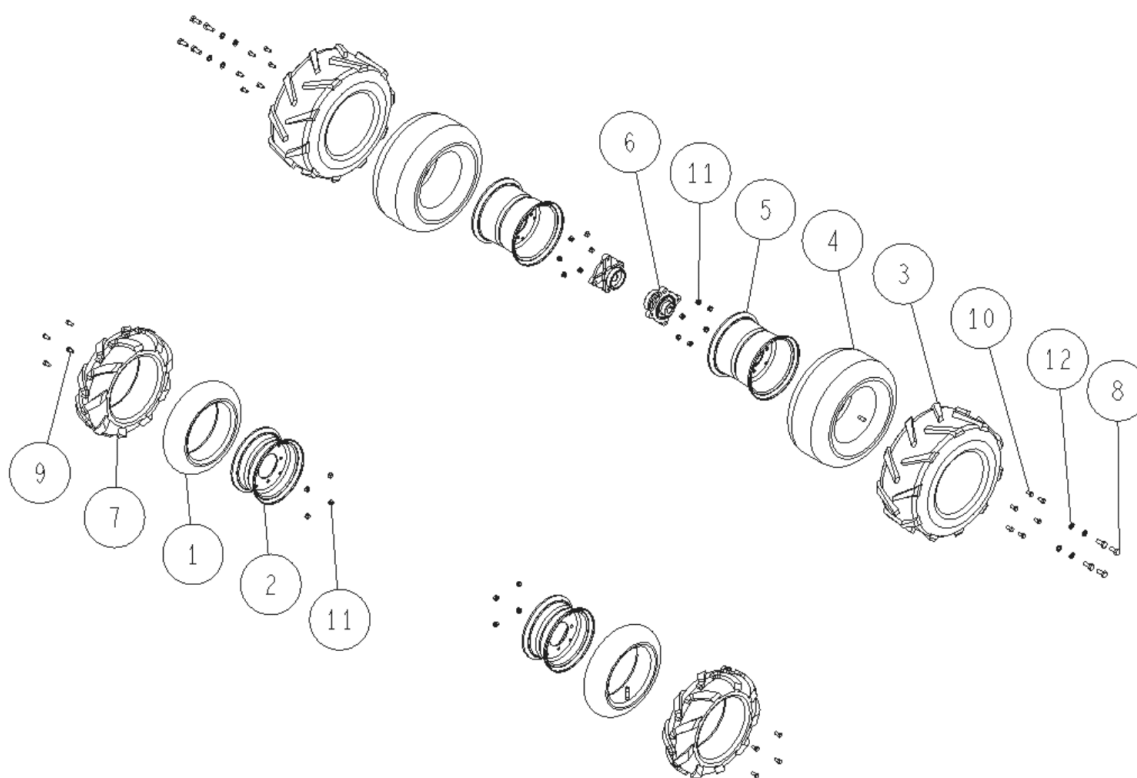
PL02471



08/2017

Number	Part Number	Name	Quantity
1	44100	FRONT AXLE AK88	1,000
2	27356	WASHER 20X30X1	1,000
3	27246	GREASE NIPPEL	1,000
4	34295	WASHER M20X38X3.2	1,000
5	27553	SNAP RING 20	1,000
6	27660	DU BUSH 25.35	1,000
7	27214	DU BUSH	1,000

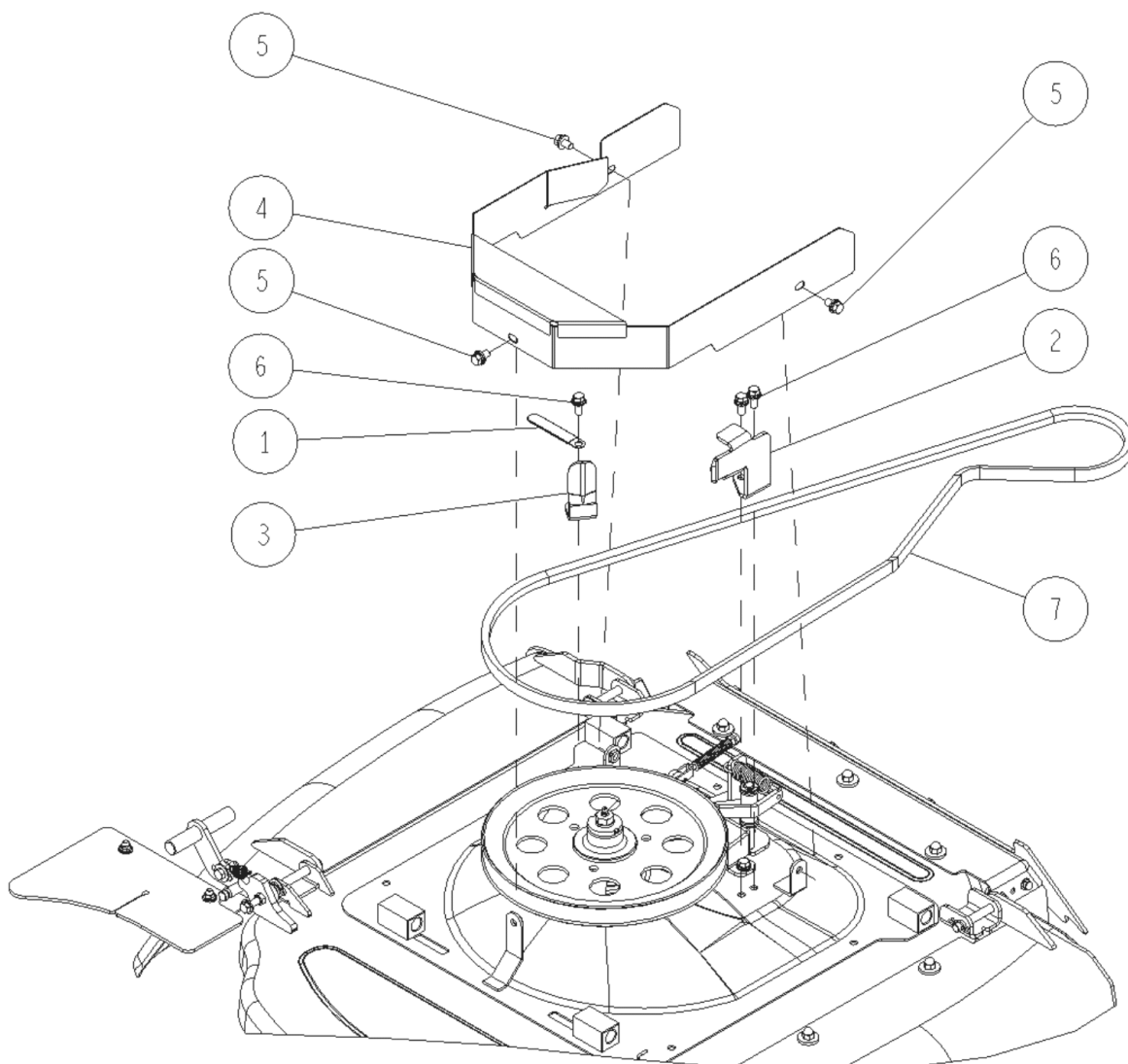
PL02472



08/2017

Number	Part Number	Name	Quantity
1	27387	INNER O AIR TUBE FR	1,000
2	27393	FRONT RIM	1,000
3	27375	REAR TYRE	1,000
4	28353	INNER TUBE REAR	1,000
5	27394	REAR WHEEL	1,000
6	27711	REAR WHEEL BOSS	1,000
7	27377	FRONT TYRE	1,000
8	-	-	1,000
11	34315	NUT 8	1,000
12	71052	SPRING WASHER,DIN 1	1,000

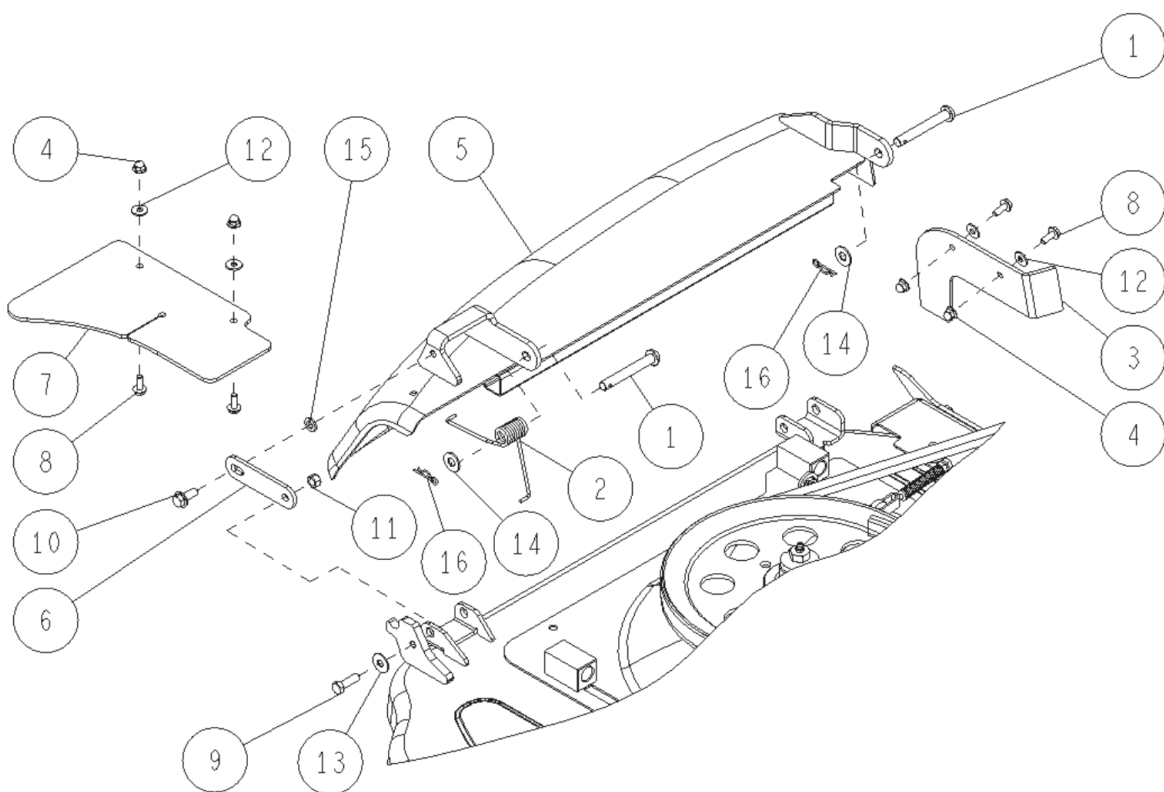
PL02473



08/2017

Number	Part Number	Name	Quantity
1	27314	HARNESS CLIP	1,000
2	34179	LEFT BELT GUIDE	1,000
3	34181	BELT GUIDE	1,000
4	44070	BLADE BELT COVER	1,000
5	34308	SCREW M8X16	1,000
6	34309	SCREW M8X20	1,000
7	34348	BLADE BELT	1,000

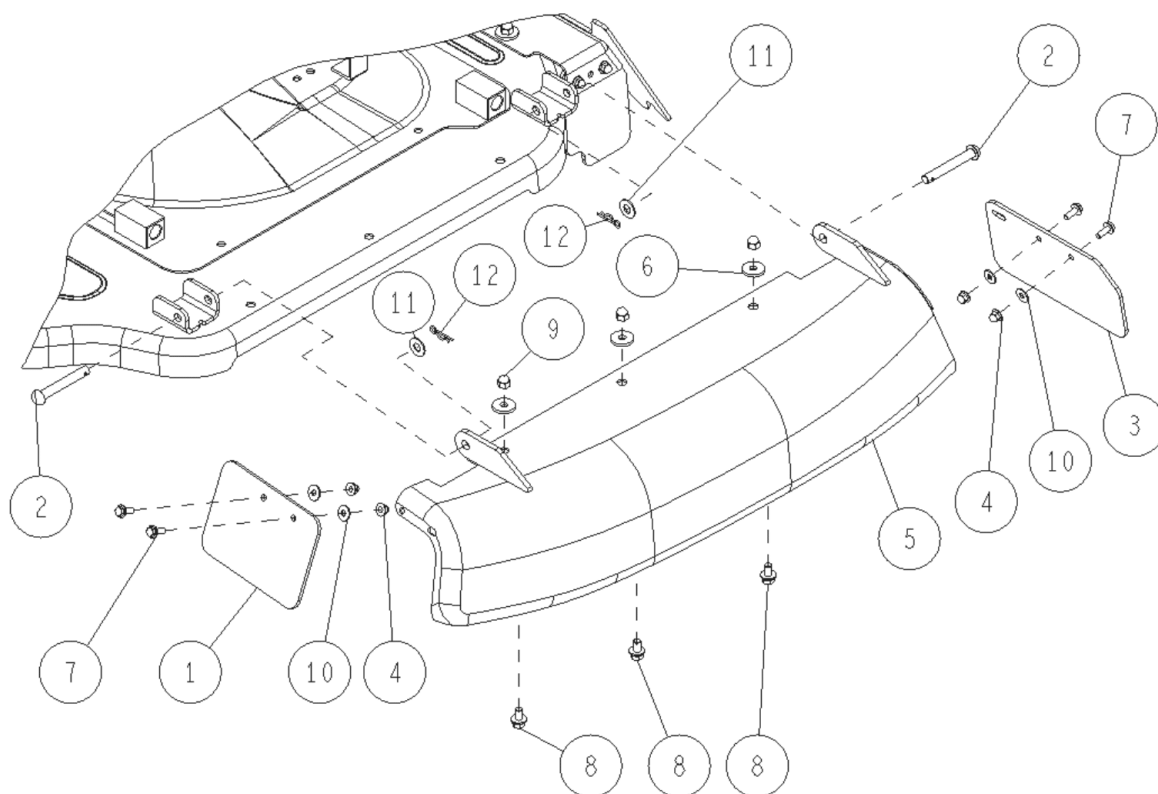
PL02474



08/2017

Number	Part Number	Name	Quantity
1	43979	DEFLECTOR AXLE	1,000
2	34229	SPRING	1,000
3	34723	RUBBER FLAPPER	1,000
4	-	-	1,000
5	44110	RIGHT DEFLECTOR	1,000
6	44111	GUIDE DEFLECTOR	1,000
7	44122	FLAP RIGHT	1,000
8	27893	SCREW HM6X20+WASHER	1,000
12	34322	WASHER 6	1,000
14	34327	WASHER 10	1,000
15	71343	SPRING WASHER A8	1,000
16	34333	PIN	1,000

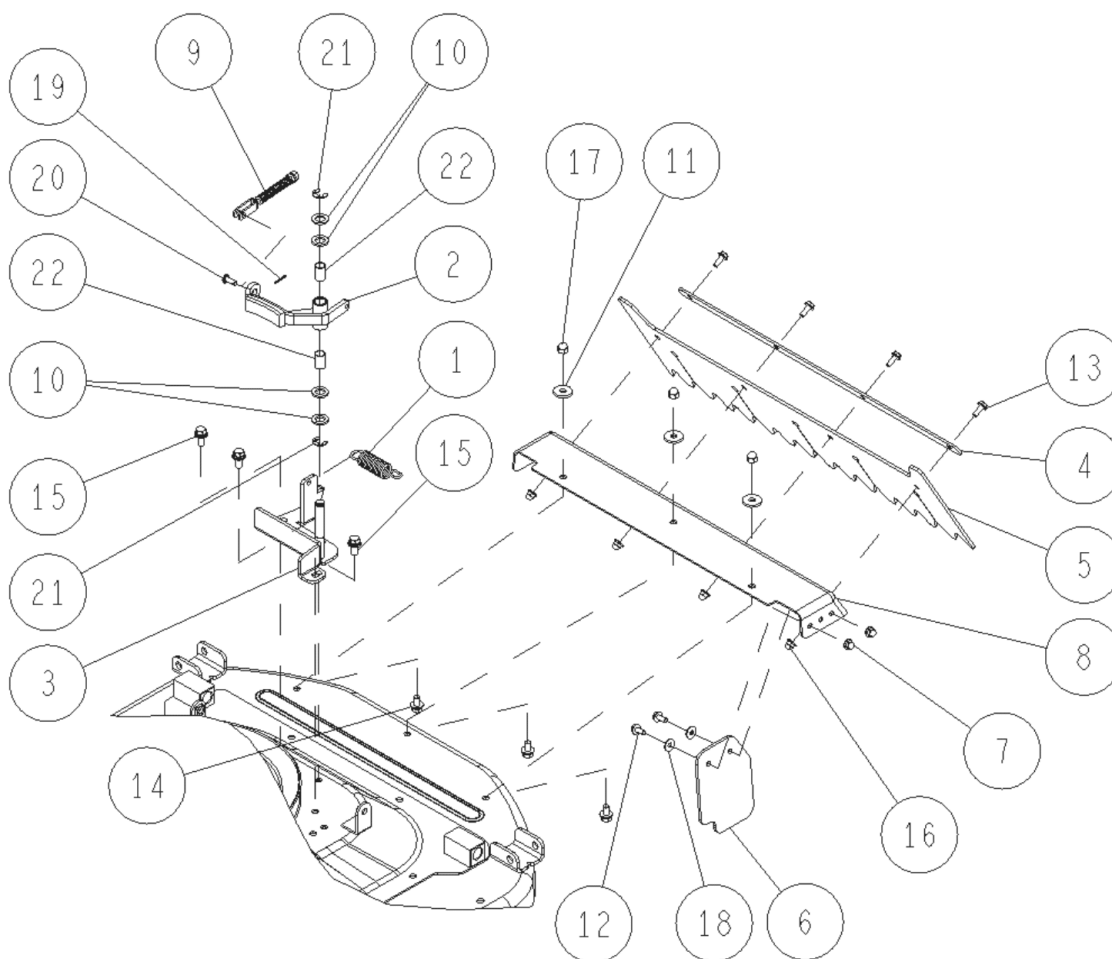
PL02475



08/2017

Number	Part Number	Name	Quantity
1	43978	FRONT UPPER GUARD	1,000
2	43979	DEFLECTOR AXLE	1,000
3	34698	RUBBER FLAPPER	1,000
4	-	-	1,000
5	44068	DEFLECTOR LEFTSIDE	1,000
7	27893	SCREW HM6X20+WASHER	1,000
8	34308	SCREW M8X16	1,000
10	34322	WASHER 6	1,000
11	34327	WASHER 10	1,000
12	34333	PIN	1,000

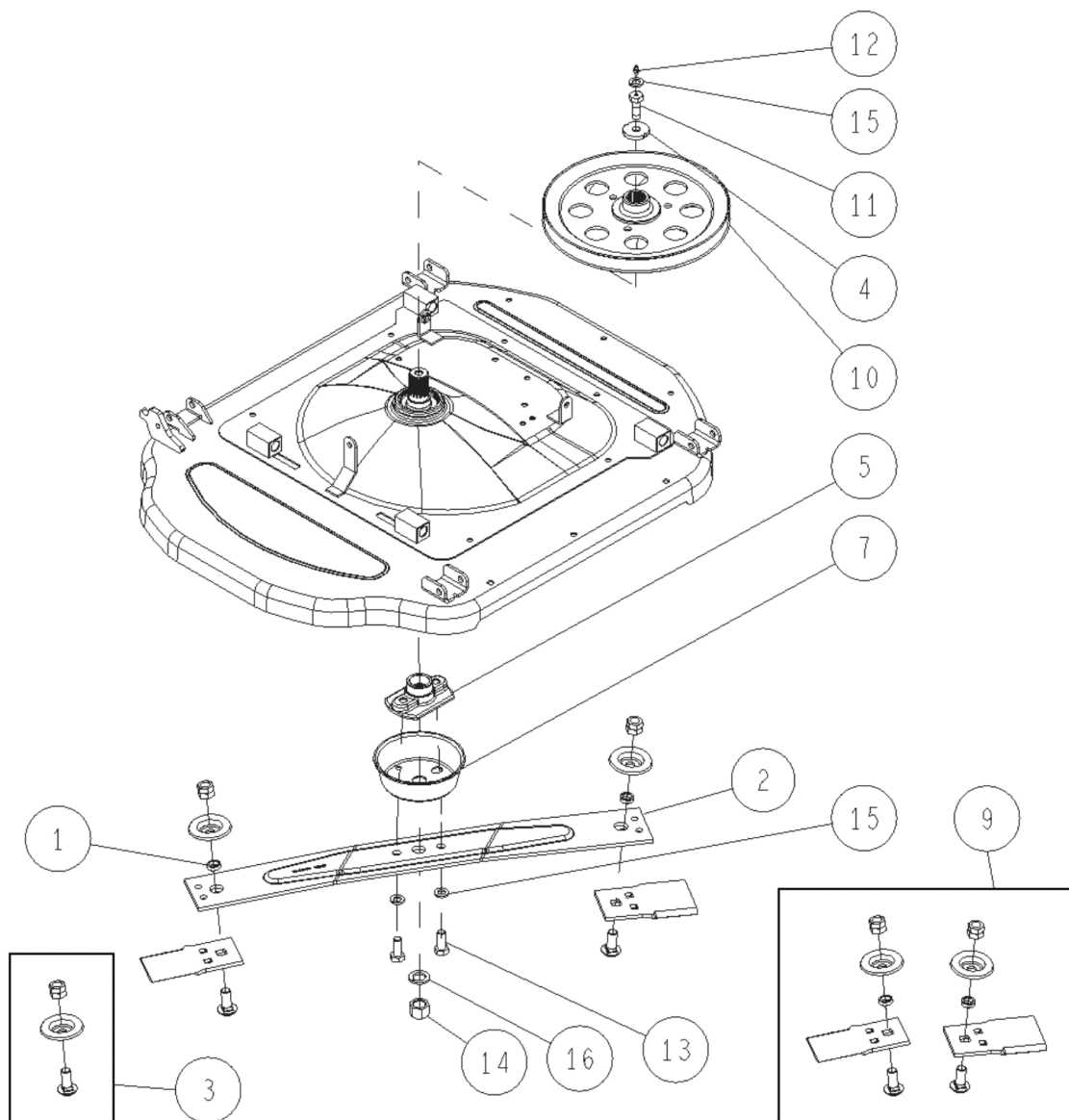
PL02476



08/2017

Number	Part Number	Name	Quantity
1	27222	TENS.SPRING	1,000
2	34187	BLADE BRAKE	1,000
3	34848	BRACKET	1,000
4	34205	FRONTGUARD	1,000
5	34720	RUBBER FLAPPER	1,000
6	44024	FLAPPER REAR LEFT	1,000
7	-	-	1,000
8	44069	REAR PROTECTION	1,000
9	44094	BLADE BRAKE CABLE	1,000
10	27415	WASHER 13X21X2,3	1,000
12	34302	SCREW M6X15	1,000
13	27893	SCREW HM6X20+WASHER	1,000
14	34308	SCREW M8X16	1,000
15	34309	SCREW M8X20	1,000
18	34322	WASHER 6	1,000
19	27337	SPLINT PIN 2X15	1,000
20	27754	FLAT PIN 6X16	1,000
21	27428	E TYPE RING 10	1,000
22	27520	BUSH MB 122 ODV	1,000

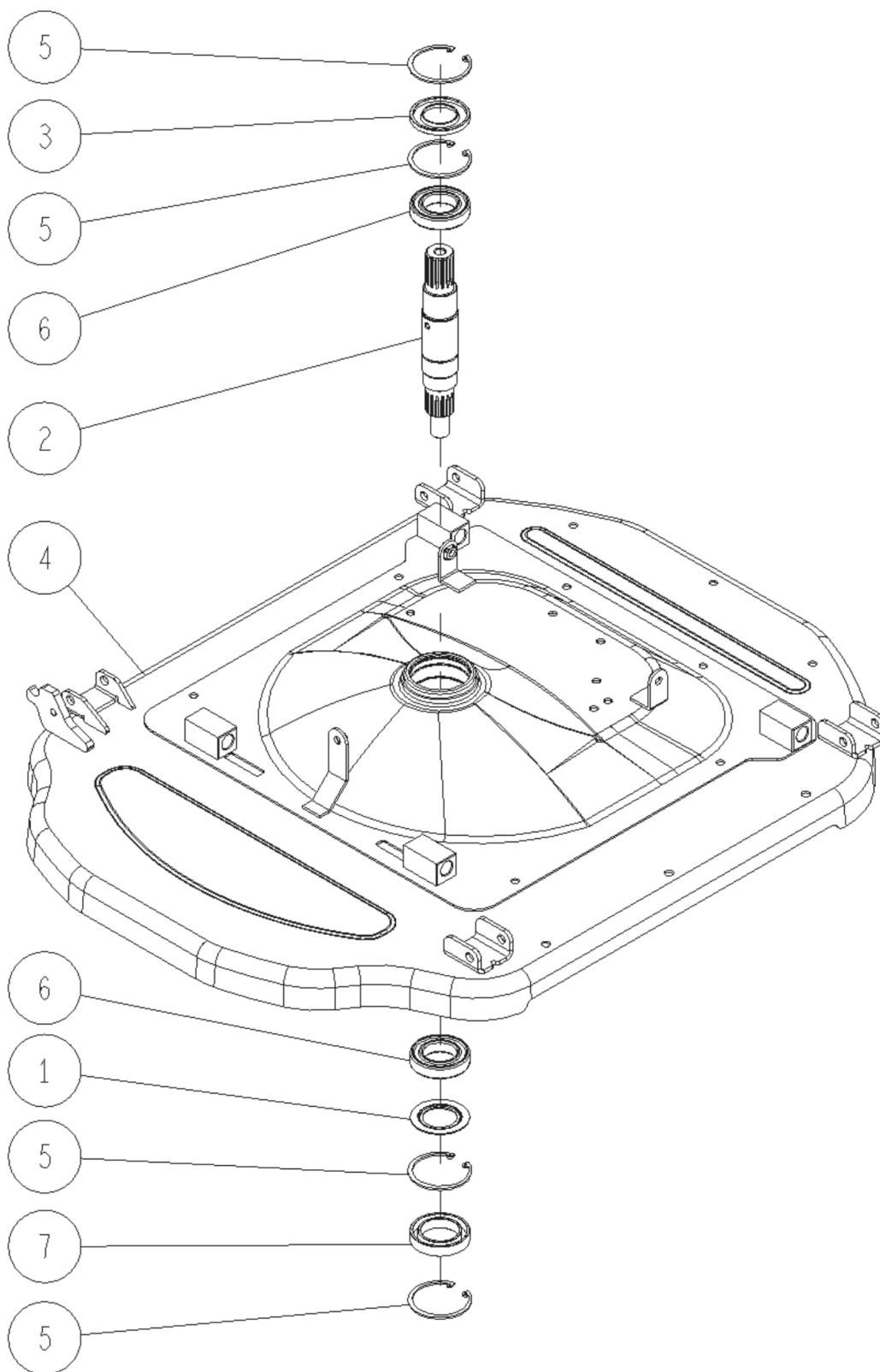
PL02477



08/2017

Number	Part Number	Name	Quantity
1	27266	KNIFE COLLAR	1,000
2	27332	BLADE BODY	1,000
3	27543	FIXING KIT MC85	1,000
4	34109	WASHER 12X40X6	1,000
5	27582	BLADE COUPLING 88	1,000
7	34194	PROTECTION	1,000
9	MC85	SWING TIP KIT	1,000
10	44023	BLADE PULLEY	1,000
11	44074	SCREW	1,000
12	27246	GREASE NIPPEL	1,000
13	-	-	1,000
14	34292	STOP NUT M20	1,000
15	27353	SPRING WASHER A12	1,000
16	27408	SPRING WASHER 20	1,000

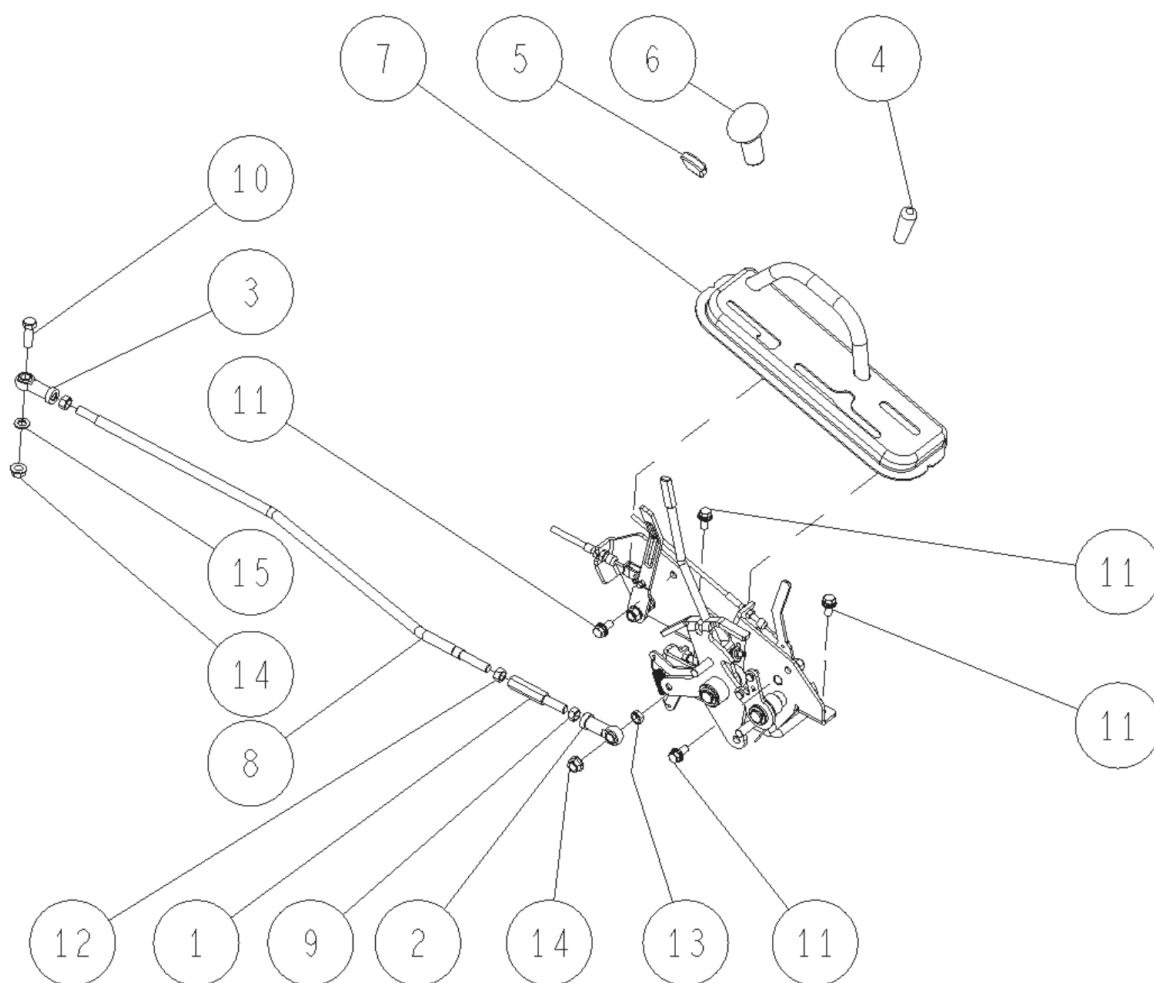
PL02478



08/2017

Number	Part Number	Name	Quantity
1	27565	DUST COVER	1,000
2	44073	AXLE	1,000
3	-	-	1,000
4	44119	COVER PROTECTION	1,000
5	27397	SNAP RING 62	1,000
6	24832	BEARING 6007-2RS1	1,000
7	27255	OIL SEAL AP40.62.12	1,000

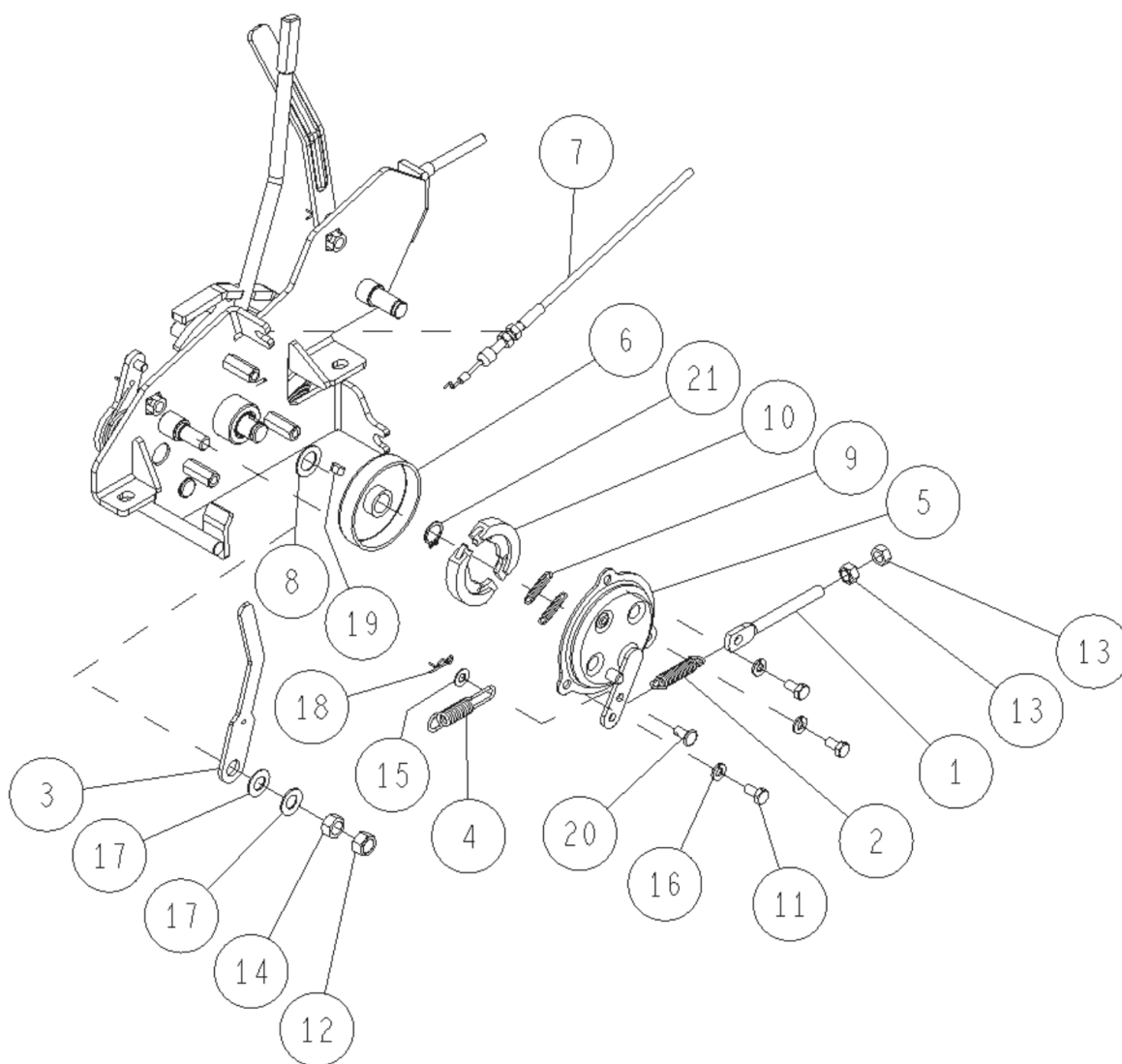
PL02479



08/2017

Number	Part Number	Name	Quantity
1	27329	TURN BACKLE	1,000
2	27206	ROD END HS 10 L	1,000
3	27551	ROD END PHS10EC	1,000
4	27770	LEVER GRIP	1,000
5	27922	LEVER GRIP	1,000
6	34106	GRIP	1,000
7	44113	LEVER GUIDE	1,000
8	44176	ROD ADJUSTER FRONT	1,000
9	34294	NUT M10 LEFT	1,000
10	34307	SCREW M10X30	1,000
11	34309	SCREW M8X20	1,000
12	-	-	1,000
13	34317	NUT 10	1,000
15	27322	WASHER 10	1,000

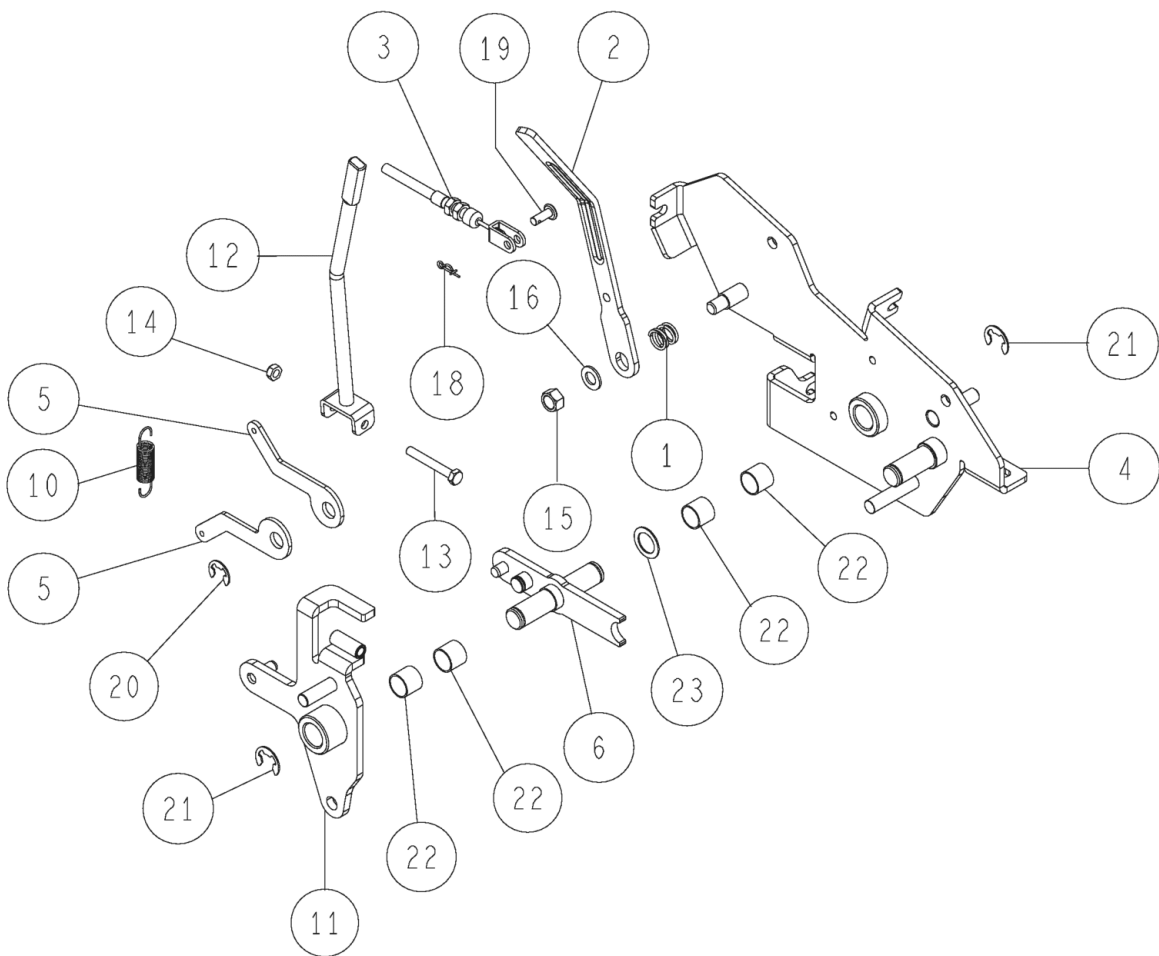
PL02480



08/2017

Number	Part Number	Name	Quantity
1	27756	CHANGE BRAKE ADJUST	1,000
2	34111	SPRING	1,000
3	44000	THROTTLE LEVER	1,000
4	44002	BRAKE SPRING	1,000
5	44003	BRAKE COVER	1,000
6	44004	BRAKE DRUM	1,000
7	44095	GAZ CABLE	1,000
8	-	-	1,000
9	44216	SPRING	1,000
10	44217	BRAKE SHOE SET	1,000
11	27457	HEXA.SCREW M6X12 8T	1,000
15	34318	WASHER 6	1,000
16	71049	SPRING WASHER,DIN 1	1,000
17	34330	WASHER H10	1,000
18	27751	SNAP PIN 6	1,000
20	44218	AXLE 6X12	1,000
21	71036	DIN 471 14X1 EXT. C	1,000

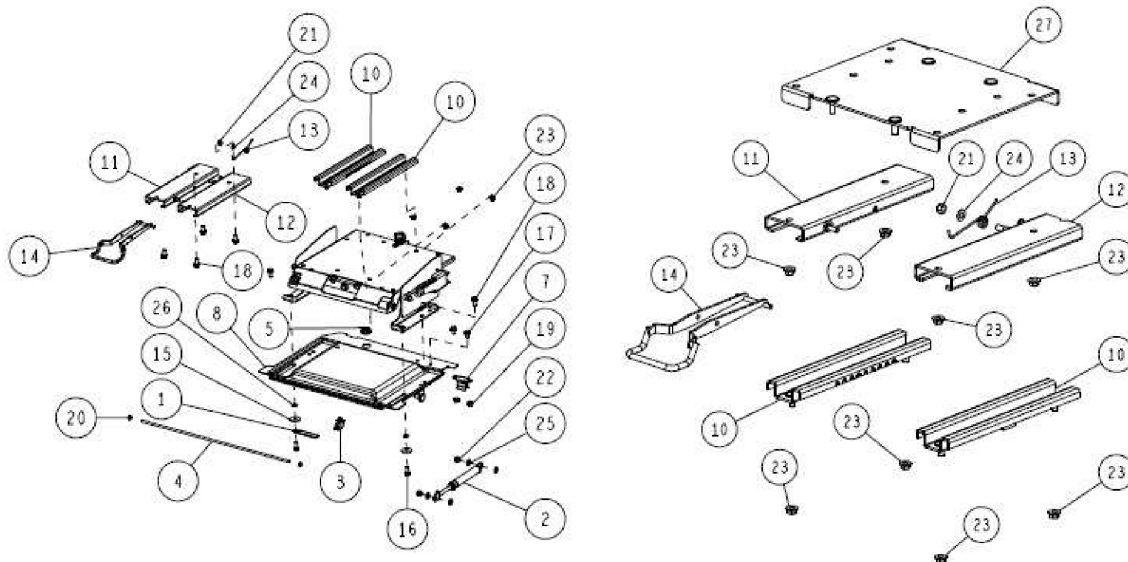
PL02613



10/2019

Number	Part Number	Name	Quantity
1	27304	CTRL.SHAFT SPRING	1,000
2	34137	LEVER	1,000
3	43980	DIFFER.LOCK CABLE	1,000
4	43997	LEVER BRACKET	1,000
5	43998	ARM	1,000
6	44290	LEVER SHAFT	1,000
7	34243	SPRING	1,000
8	44001	SPRING	1,000
9	44051	REVERSE ARM	1,000
10	44099	SPRING	1,000
11	44291	LEVER GUIDE	1,000
12	44172	LEVER	1,000
13	-	-	1,000
16	27322	WASHER 10	1,000
17	34322	WASHER 6	1,000
18	27751	SNAP PIN 6	1,000
19	27754	FLAT PIN 6X16	1,000
20	27428	E TYPE RING 10	1,000
21	27313	SNAP RING E TYPE 12	1,000
22	34343	BUSH 16-15 DU	1,000
23	27364	WASHER 16X24X1	1,000

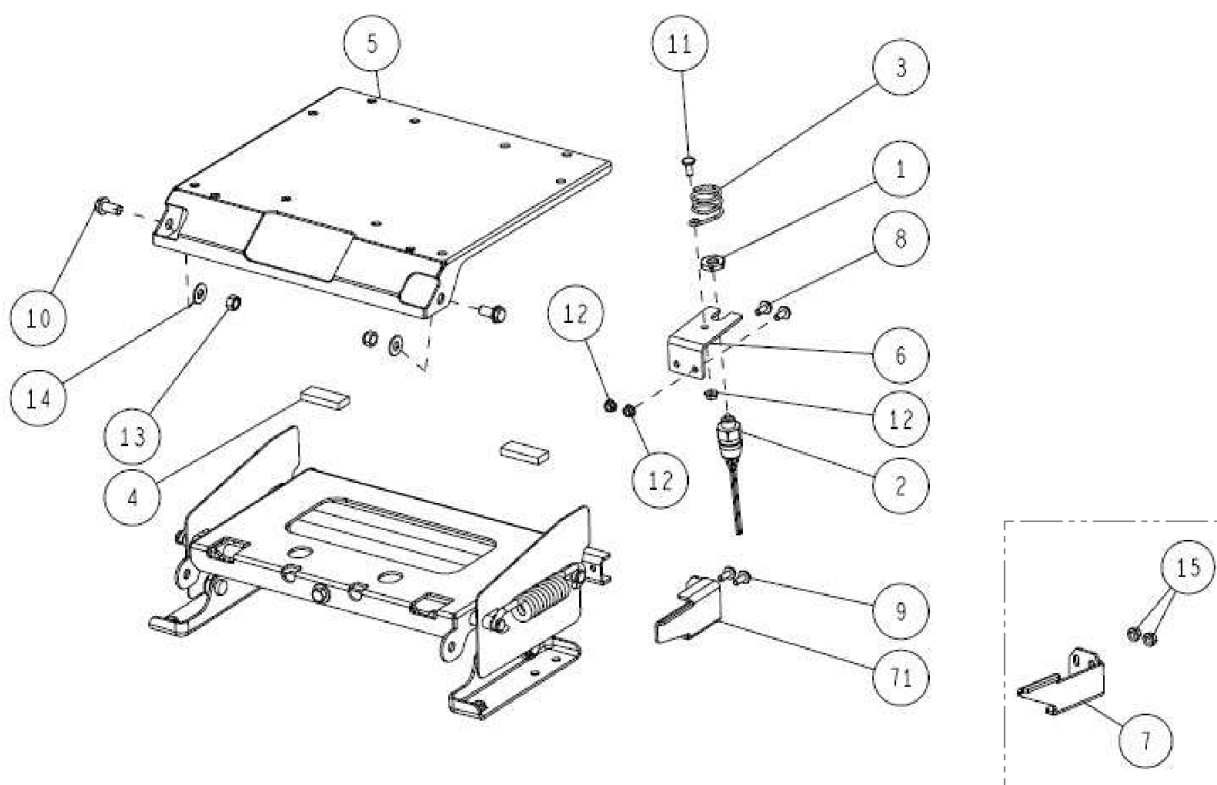
PL02551



11/2018

Number	Part Number	Name	Quantity
1	27314	HARNESS CLIP	1,000
2	27695	GAS SPRING KMF50-40	1,000
3	43960	CLIP CT 339	1,000
4	34160	SEAT BRACKET AXLE	1,000
5	34246	PROTECTION D.24	1,000
8	44054	SEAT BRACKET	1,000
15	-	-	1,000
17	34308	SCREW M8X16	1,000
18	34309	SCREW M8X20	1,000
19	34315	NUT 8	1,000
23	27501	NUT FLANGE M8	1,000
24	34319	WASHER 8X18X1,6	1,000
25	27322	WASHER 10	1,000
26	71343	SPRING WASHER A8	1,000
27	44240	BRACKET	1,000

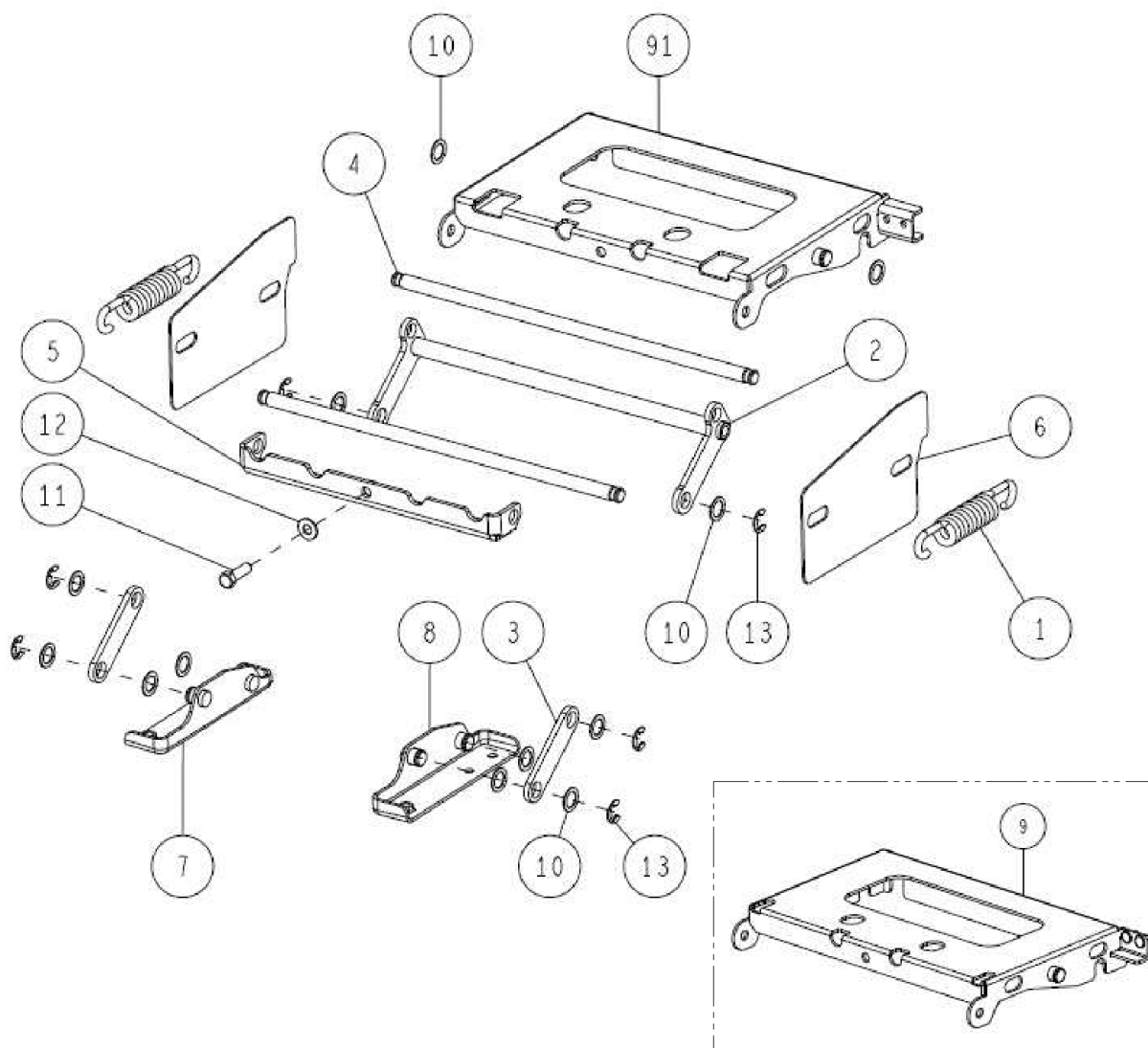
PL02483



11/2018

Number	Part Number	Name	Quantity
1	27856	SWITCH LOCK NUT	1,000
2	27855	SAFETY SWITCH	1,000
3	44117	SEAT SPRING	1,000
4	44009	PIN	1,000
5	44115	SEAT BRACKET	1,000
6	44116	KEY SWITCH BRACKET	1,000
7	44194	BRACKET	1,000
8	34302	SCREW M6X15	1,000
9	27893	SCREW HM6X20+WASHER	1,000
10	70086	HEXAGON SCREW,DIN 9	1,000
11	34312	SCREW M6X16	1,000
12	34313	NUT 6	1,000
13	9017	NUT HM10	1,000
14	34327	WASHER 10	1,000
15	34314	NUT 6	1,000

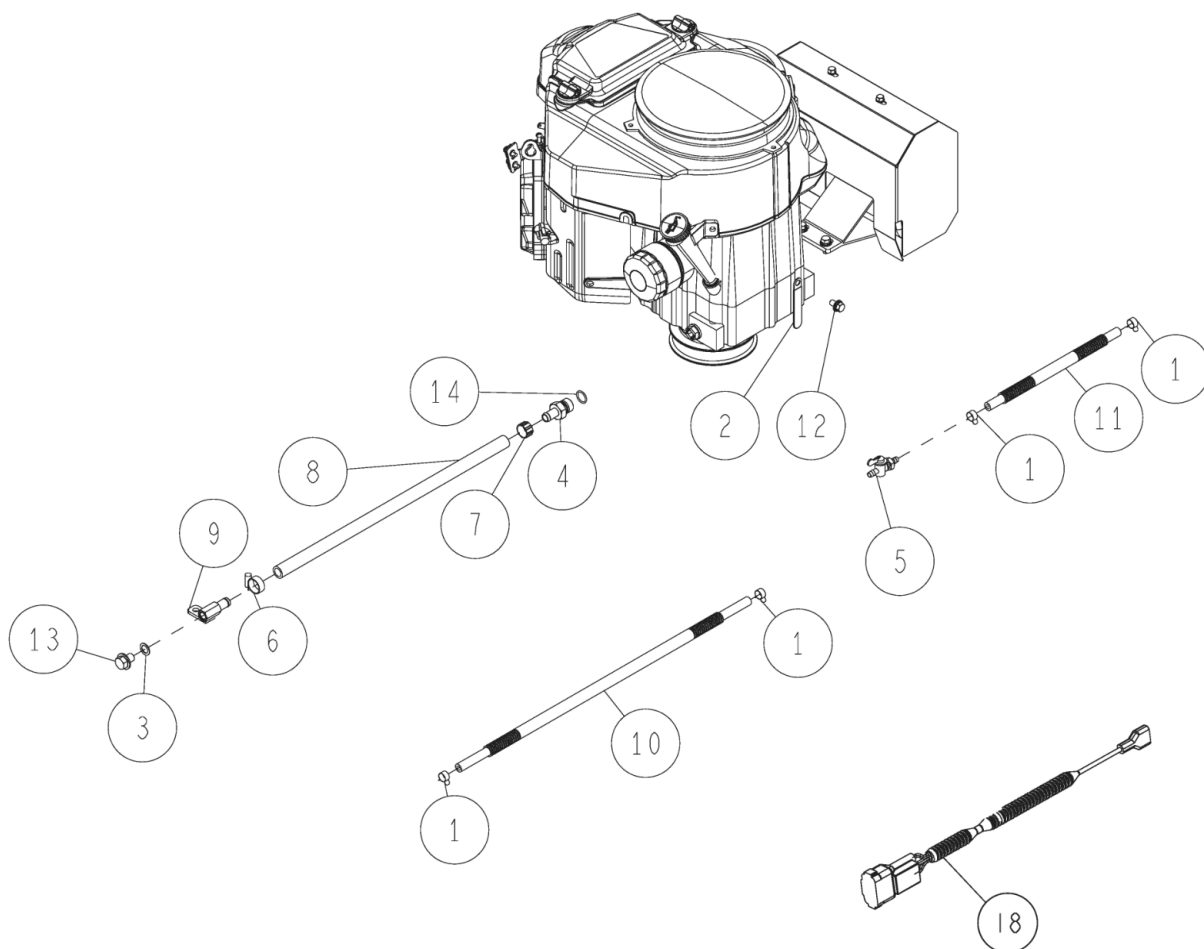
PL02484



11/2018

Number	Part Number	Name	Quantity
1	34225	SPRING	1,000
2	44005	HINGE	1,000
3	44006	SEAT LINK	1,000
4	44007	SEAT BRACKET AXLE	1,000
5	44008	AXLE BRACKET	1,000
6	44105	COVER SEAT BRACKET	1,000
7	44191	BRACKET FRONT RIGHT	1,000
8	44192	BRACKET FRONT LEFT	1,000
9	44193	BRACKET	1,000
10	27364	WASHER 16X24X1	1,000
11	-	-	1,000
12	34327	WASHER 10	1,000
13	27313	SNAP RING E TYPE 12	1,000

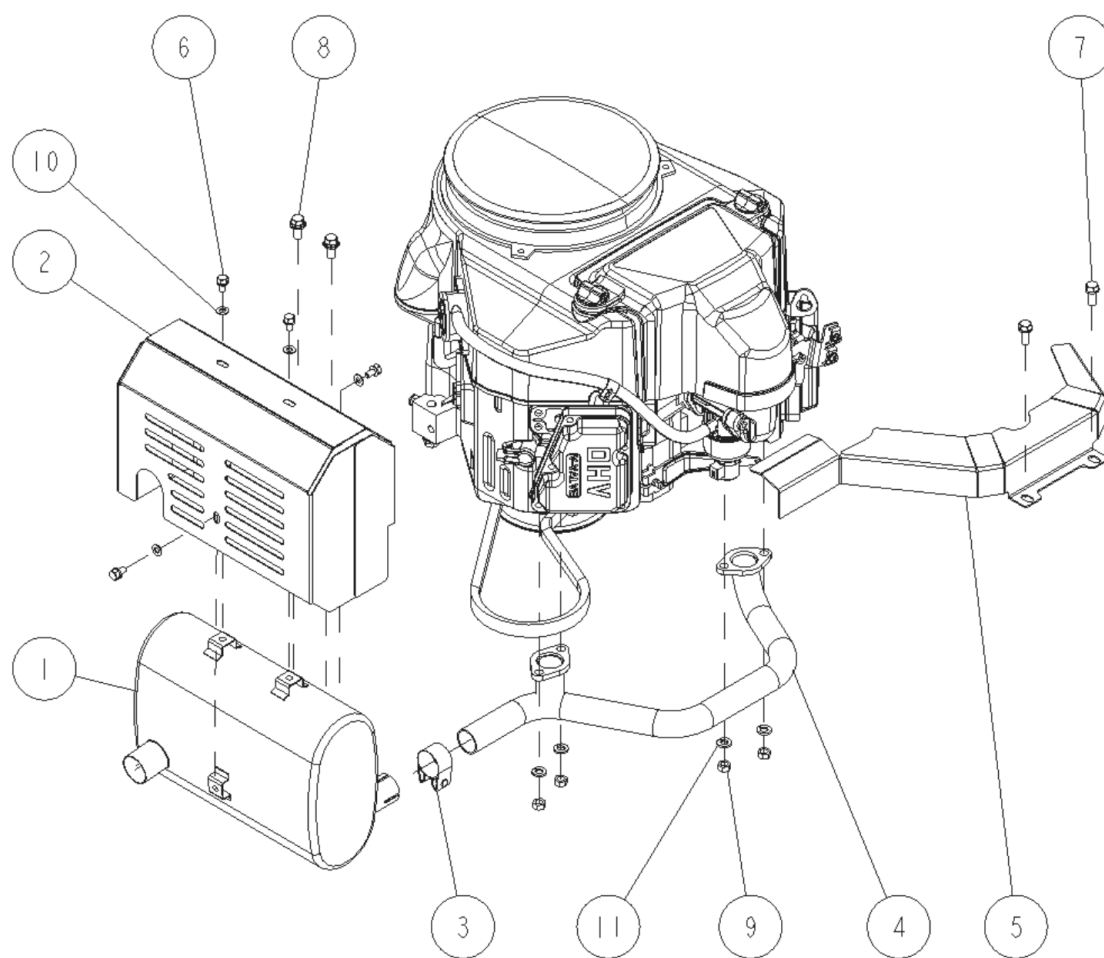
PL02614



10/2019

Number	Part Number	Name	Quantity
1	34288	COLLAR 17	1,000
2	27314	HARNESS CLIP	1,000
3	27864	COPPER PACKING	1,000
4	43976	CONNECTION	1,000
5	34248	FUEL STOP VALVE	1,000
6	-	-	1,000
8	44021	EMPTYING PIPE	1,000
9	44022	OIL CHANGE ADAPTER	1,000
10	44078	FUEL LINE 600	1,000
11	44079	FUEL LINE 270	1,000
12	34308	SCREW M8X16	1,000
13	27865	FLANGE BOLT	1,000
14	27499	O RING P16	1,000
18	44293	ENGINE WIRING	1,000

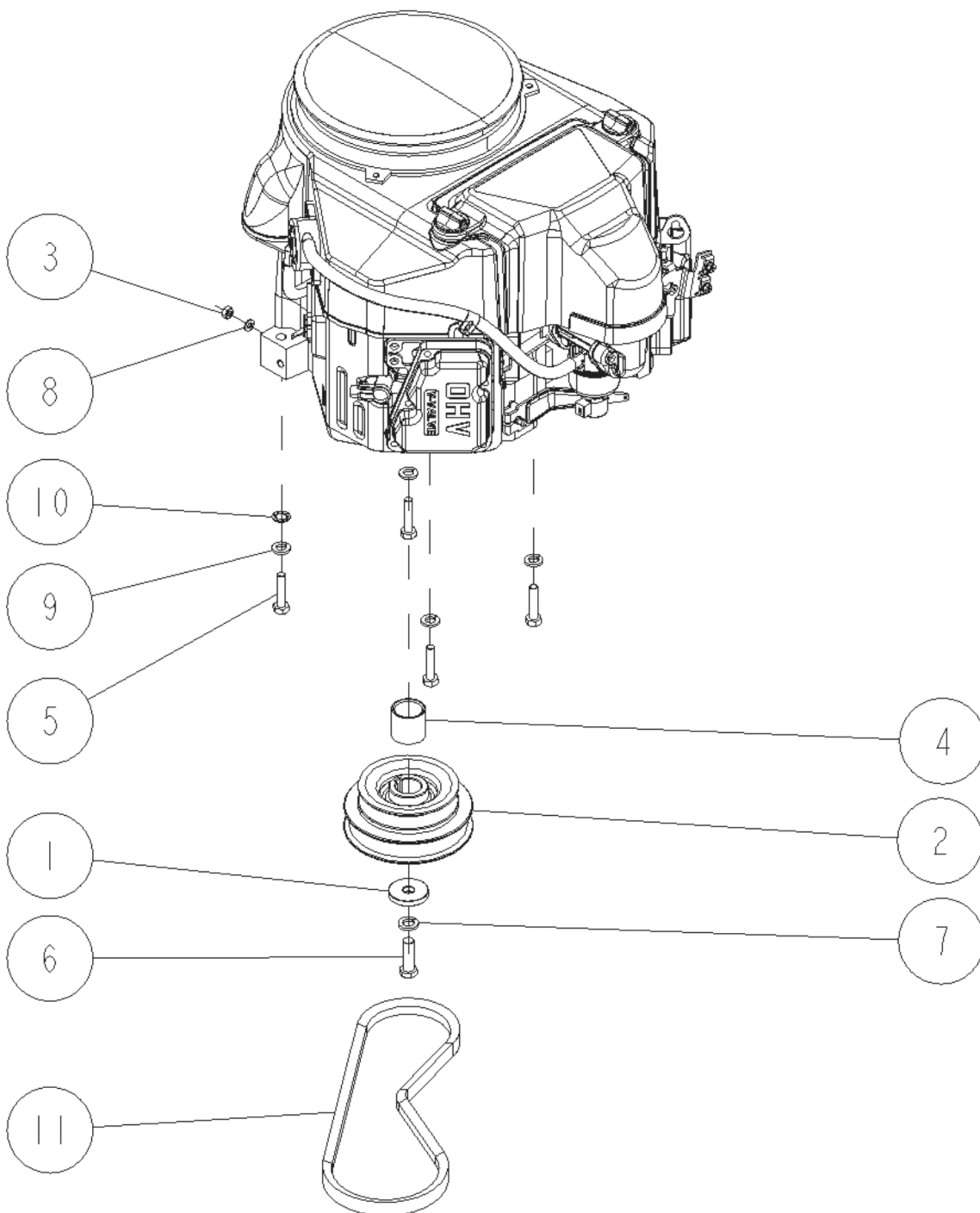
PL02486



08/2017

Number	Part Number	Name	Quantity
1	44016	MUFFLER	1,000
2	44018	HOT PROTECTION	1,000
3	44034	KLAMP MUFFLER	1,000
4	44062	EXHAUST COLLECTOR	1,000
5	44101	HEAT PROTECTION	1,000
6	-	-	1,000
8	34309	SCREW M8X20	1,000
10	34318	WASHER 6	1,000
11	71343	SPRING WASHER A8	1,000

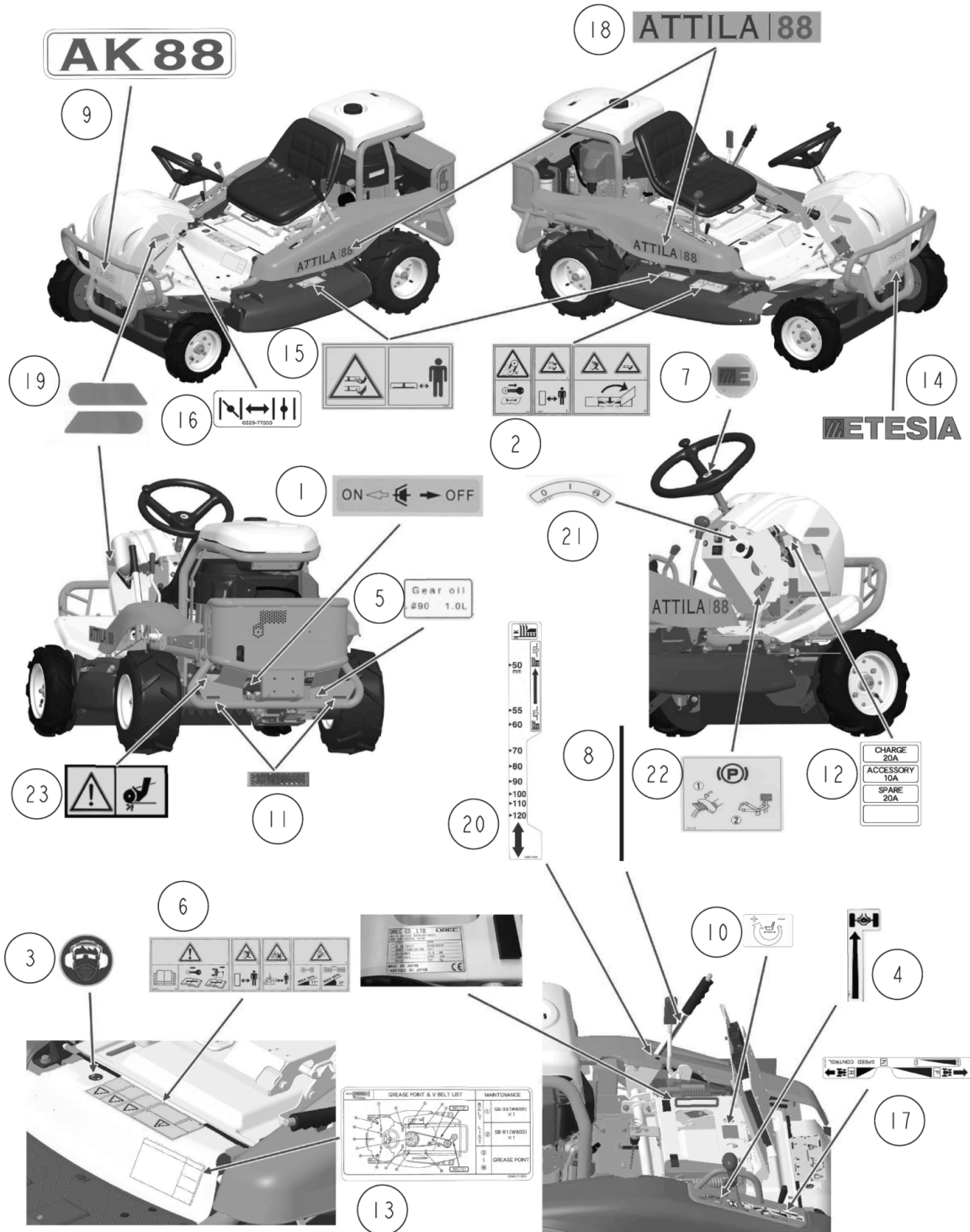
PL02487



08/2017

Number	Part Number	Name	Quantity
1	27713	WASHER 11X40X6	1,000
2	44067	ENGINE PULLEY	1,000
3	43959	NUT UNF 1/4	1,000
4	43973	PIN	1,000
5	-	-	1,000
6	34755	SCREW 7/16-35	1,000
7	34297	WASHER 7/16	1,000
8	71049	SPRING WASHER,DIN 1	1,000
9	71052	SPRING WASHER,DIN 1	1,000
11	27670	TRANSMISSION BELT	1,000

PL02615



10/2019

Number	Part Number	Name	Quantity
1	-	-	1,000
2	13089	ETIQ. TRAPPE FR.	1,000
4	13168	LABEL DIFFER.LOCK	1,000
5	27903	OIL LABEL	1,000
6	13021	STICKER	1,000
7	25330	BADGE - ETESIA	1,000
8	34282	STICKER CUT.HEIGHT	1,000
9	53182	STICKER AK88	1,000
10	44040	STICKER SEAT	1,000
12	44097	STICKER	1,000
14	13086	STICKER ETESIA	1,000
15	13062	STICKER CUT-DECK	1,000
18	13335	STICKER ATTILA 88_2	1,000
20	53079	CUTT.HEIGHT STICKER	1,000
21	13121	LABEL KEY	1,000
22	13113	STICKER	1,000
23	34580	STICKER	1,000